



**SECURITY
OR SAFETY**
controllers & more

www.hynux.com

Sign Tower
Turn Light
Signal Light
Wall Mounted Light



HANYOUNG nux



■ Description

Light Source	LED Bulb Xenon
Size	600 E00 Circle Ellipse
Function	Revolution Continuous light Flashing Buzzer Melody

Rating	12V 24V 24V 100Vac 110V AC 220V AC
Mount	Direct Mount Pole Mount Pole Mount Pole Mount
Certificate	IP structure CE Certificate ROHS Certificate
Others	Material Plate Volume Decibel

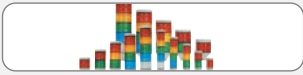


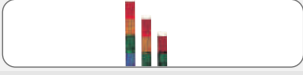







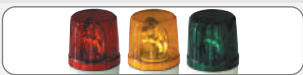







■ Specification

Model	Code	Specification
Sign tower	STS-040	
	STS-060	
	STS-080	
Sign tower	STL-025	
	STL-040	
	STL-060	
	STL-080	
Sign tower	HY-TN	
	HY-TWN	
	HY-TBN	
	HY-TWBN	
	HY-TLN	
	HY-TWLN	
	HY-TBLN	
	HY-TWBLN	
Sign tower	STA-025	
Cube tower	CTB-TB	
Cube tower	CTB-KBB	
	CTC-KBM	
Wall mounted light	WME	
	WMS	

Wall mounted light	WT	
	WTS	
Turn light	TLB-060	
	TLB-100	
	TLB-150	
Turn light	TL100	
Turn light	TR	
	TX	
	TF	
	TP	
	TFB	
	TPB	
	Turn light	KB
	KBB	
Signal light	SLB-060	
Signal light	WX	
	WXB	
Signal light	LTR	
	LTPB	

CONTENTS



Tables	4
Sign Tower	7
	- STS series ----- 8
	- STL (Ø25) ----- 11
	- STL (Ø40, Ø60, Ø80)----- 13
	- STA (Ø25) ----- 19
	- HY-TN ----- 21
	- CTB-TB ----- 23
	- CTB/CTC----- 25
Wall Mounted Light	27
	- WME series----- 28
	- WMS series----- 30
	- WT/WTS series----- 32
Turn Light	34
	- TLB series (Ø70) ----- 35
	- TLB series (Ø100) ----- 37
	- TLB series (Ø150) ----- 39
	- TL100 ----- 41
	- T series ----- 43
	- RLA-KB/KBB ----- 45
Signal Light	47
	- SLB060 ----- 48
	- RLA-WX/WXB ----- 51
	- LT series----- 53

Tables

LED Sign Tower

Model	STL series				STS series	Note
	STL-025	STL-040	STL-060	STL-080	STS-040, 060, 080	
Light source	LED					
Diameter	Ø25	Ø40	Ø60	Ø80	Ø40, Ø60, Ø80	
Function	Continuous light	○	○	○	○	
	Continuous light, flashing light and buzzer	-	○	○	○	
Power supply voltage	24 V DC	24 V AC/DC, 100 – 220 V AC			24 V DC/AC, 12 V DC/AC	
Number of stacks	1 ~ 5 stack					
Frequency	50 – 60 Hz					
Buzzer	2 type of melodies (Short beeping, Beeping)				-	
Lens color	Red, Yellow, Green, Blue and White					

Sign Tower

Model	STA series	HY series				Note
	STA-025	HY-T	HY-TW	HY-TB	HY-TWB	
Light source	Incandescent lamp(Socket type)	Incandescent lamp(BA15S)				
Diameter	Ø25	Ø52				
Function	Continuous light	○	○	○	○	
	Continuous light, flashing light and buzzer	-	-	○	○	
Power supply voltage	12 V DC/AC, 24 V DC/AC, 110 V AC, 220 V AC	12 V DC, 24 V DC, 110 V AC, 220 V AC				
Number of stacks	2 ~ 4 stack	1 ~ 5 stack				
Frequency	50/60 Hz	50/60 Hz				
Buzzer	-	-	2 type of melodies (Short beeping, Beeping)			
Lens color	Red, Yellow, Green, Blue	Red, Yellow, Green, Blue and White				

Model	CTB-TB series	CTB-KBB/CTC-KBM series		Note
	CTB-TB	CTB-KBB	CTC-KBM	
Light source	Incandescent lamp(Base : E12)			
Diameter	Ø82	Ø82	Ø116	
Function	Continuous light	○	○	○
	Continuous light, flashing light and buzzer	-	○	○
Power supply voltage	12 V DC/AC, 24 V DC/AC, 110 V AC, 220 V AC	24 V DC/AC, 110 V AC, 220 V AC		
Number of stacks	1 ~ 2 stack	1 ~ 3 stack		
Frequency	-	-	-	
Buzzer	-	Buzzer built in	4 Melody type built in	
Lens color	Selectable among Red, Yellow, Green and Blue	Selectable among Red, Yellow, Green and Blue	Selectable among Red, Yellow, Green and Blue	

Wall Mounted Light

Model	WM series			Note
	WME-B (Beige color body)	WME-C (Chrome gold plating body)	WMS	
Light source	LED			
Function	Continuous light	○	○	○
	Continuous light, flashing light and buzzer	○	○	○
Power supply voltage	24 V DC/AC, 12 V DC/AC			
Number of stacks	3 stack		1 ~ 5 stack	
Frequency	50 – 60 Hz			
Buzzer	2 type of melodies (Single melody, Beeping)			
Lens color	Red, Yellow, Green		Red, Yellow, Green, Blue and White	
Mount	Wall-mounted type			

Turn light with sensor

Model	WT/WTS series		Note
	WT(Wall-mounted type LED turn light)	WTS(With PIR sensor)	
Light source	Flat type LED(1 W)		
Cap dimension	ø100(Round cap)		
Power supply voltage	C51 : 24 V DC/AC, A11 : 100 – 240 V AC		
Frequency	50 – 60 Hz		
Detection range	–	10 m	
Buzzer	–	4 type of melodies (Fire, Ambulance, Police and For Elise)	
Lens color	Red, Yellow, Green		
Mount	Wall-mounted type		

Turn Light

Model	TLB series			Note
	TLB-060	TLB-100	TLB-150	
Light source	Incandescent lamp (BA 15S)			
Cap dimension	ø70	ø100	ø150	
Function	Rotating continuous light	○	○	○
	Rotating continuous light, buzzer	○	○	○
Shape	Round cap direct installation	○	○	–
	Round cap support installation	○	○	–
	Rectangular cap direct installation	○	○	○
	Rectangular cap support installation	○	○	–
Power supply voltage	24 V DC/AC, 100 – 240 V DC/AC			
Frequency	50 – 60 Hz			
Buzzer	Single melody			
Cap color	Red, Yellow, Green			

Model	T series						Note
	TR	TX	TF	TP	TFB	TPB	
Light source	Incandescent lamp (BA 15S)						
Cap dimension	ø84						
Function	Rotating continuous light	○	○	○	○	○	○
	Rotating continuous light, buzzer	–	–	–	–	○	○
Shape	Rectangular cap direct installation	–	–	–	○	–	○
	Rectangular cap support installation	○	–	–	–	–	–
	Round cap direct installation	–	–	○	–	○	–
	Rectangular cap direct installation	–	○	–	–	–	–
Power supply voltage	24 V DC/AC, 100 – 240 V DC/AC						
Frequency	50 – 60 Hz						
Buzzer	Single melody						
Cap color	Red, Yellow, Green						

Model	TL100 series				RLA-KB/KBB		Note
	AC51	AA11	FC51	FA11	RLA-KB	RLA-KBB	
Light source	LED(1 Watt)				Incandescent lamp(Base rating : BA 15S)		
Cap dimension	ø100				ø118		
Function	Rotating continuous light	○		○	○	○	
	Rotating continuous light, buzzer	–		○	–	○	
Shape	Round cap direct mounting type	○		○	–	–	
	Rectangular cap direct mounting type	○		○	–	–	
	Round cap Direct installing type	–		–	○	○	
	Round cap Magnet supporter	–		–	○	○	
	Round cap Cigar jack attachment magnet supporter	–		–	○	○	
Power supply voltage	24 V DC/AC, 100 – 240 V DC/AC, 12 V DC/AC (※Order-made)				12 V DC, 24 V DC, 100/220 V AC		
Frequency	max 3.2 W	max 5.5 W	max 3.2 W	max 5.5 W	50 – 60 Hz		
Buzzer	Single melody				–	○	
Cap color	Red, Yellow, Green				Red, Yellow, Green		

Signal Light

Model		SLB series					Note	
		RA	XA	PA	FA	PF		FF
Light source		LED						
Cap dimension		Ø70						
Function	Rotating continuous light	○	○	○	○	○	○	
	Rotating continuous light, buzzer	–	–	–	–	○	○	
Shape	Round cap direct installation	–	–	○	–	○	–	
	Round cap support installation	○	–	–	–	–	–	
	Rectangular cap direct installation	–	–	–	○	–	○	
	Rectangular cap support installation	–	○	–	–	–	–	
Power supply voltage		24 V DC/AC, 100 – 240 V DC/AC						
Frequency		50 – 60 Hz						
Buzzer		Single melody						
Cap color		Red, Yellow, Green						

Model		RLA-WX/WXB		LT series			Note
		RLA-WX	RLA-WXB	LT-R	LT-P	LT-PB	
Light source		Xenon tube Strobe light		LED (LED quantity : 24)			
Cap dimension		Ø118 rectangular cap		Ø84			
Function	Strobe only	○	○	–	–	–	
	Strobe, Buzzer	–	○	–	–	–	
	Supporter mounting(Rotating, Flashing)	–	–	○	–	–	
	Direct mounting(Rotating, Flashing)	–	–	–	○	–	
	Direct mounting(Rotating, Flashing, Buzzer built in)	–	–	–	–	○	
Shape	Rectangular cap Direct installation type	○	○	–	–	–	
	Rectangular cap Permanent magnet supporter	○	○	–	–	–	
	Rectangular cap Cigar jack attachment magnet supporter attachment	○	○	–	–	–	
	Round cap Supporter mounting installation	–	–	–	–	–	
	Round cap Direct installation	–	–	○	○	○	
Power supply voltage		12 V DC, 24 V DC, 110 V AC, 220 V AC		12 – 48 V DC, 12 – 24 V AC, 100/220 V AC			
Frequency		50/60 Hz		50 – 60 Hz			
Buzzer		Beeping		–		Short beeping, Beeping	
Cap color		Red, Yellow, Green		Red, Yellow, Green			

■ **Sign Tower**
Turn Light
Signal Light
Wall Mounted Light

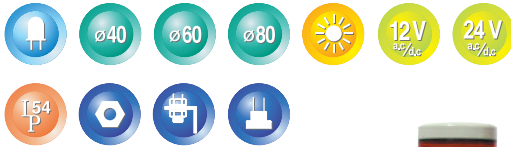
Sign Tower Sign Tower
Sign Tower
Sign Tower
Sign Tower



LED Sign Tower

STS series (Ø40, Ø60, Ø80)

- Ø40, Ø60 and Ø80 various sizes.
- Long life expectancy due to the HID LED light source.
- 1~5 modules stacking structure and colors (5 kinds).
- 2 types of installation method.
- Sign tower continuous light.



□ Suffix code

Model	Code	Description
STS	□ - □ □ □	Sign tower continuous light
Diameter	040	Ø40 cylinder type
	060	Ø60 cylinder type
	080	Ø80 cylinder type
Power supply voltage	C51	24 V DC / AC 50 – 60 Hz (dual usage)
Stacking	1	1 stack (Red)
	2	2 stack (Red, green)
	3	3 stack (Red, yellow, green)
	4	4 stack (Red, yellow, green, blue)
	5	5 stack (Red, yellow, green, blue, white)
Bracket selection	M	Plastic round bracket (standard)
	L	L type bracket
Optional		Elbow type bracket (ETM)

□ Specification

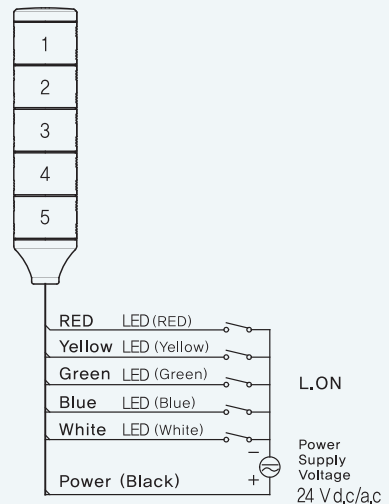
Model	STS040-□□□	STS060-□□□	STS080-□□□
Diameter	Ø40	Ø60	Ø80
Power supply voltage	24 V DC/AC 50 – 60 Hz (dual usage)		
Power consumption	Less than approx 6W. (0.9W for each stage)		
Light source	LED		
Light types	Steady light only		
Radiating angle	360°		
Lens material	Polycarbonate (P.C)		
Body material	Heat resistance ABS		
Pipe	Aluminum (Ø18)	Aluminum (Ø25)	
Wire length	700 mm		
Lens color	R, G, Y, B and W		
Ambient temperature	-5 ~ 50 °C		
Ambient humidity	35 – 85 % R.H.		
Degree of protection	IP54		

□ Dimension (unit : mm)

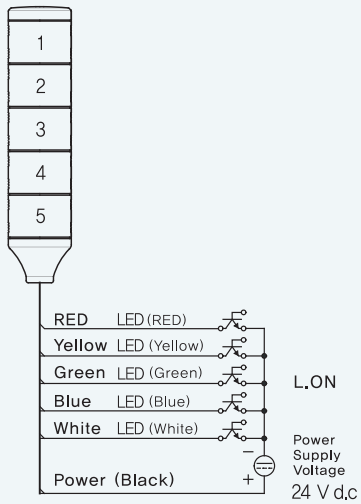
Model		STS040-□□□	STS060-□□□	STS080-□□□
Dimension	Height (H) mm	1 stack	93	99
		2 stack	129	140
		3 stack	165	181
		4 stack	201	222
		5 stack	237	263

□ Connection diagram

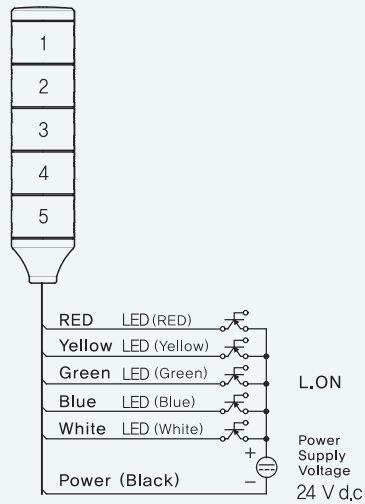
■ Contact running (NPN)



■ NPN transistor running




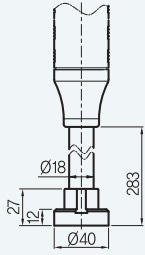
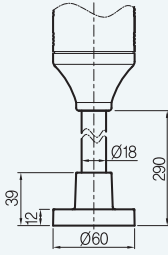
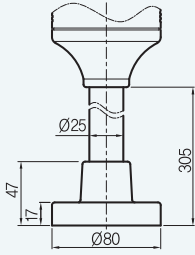

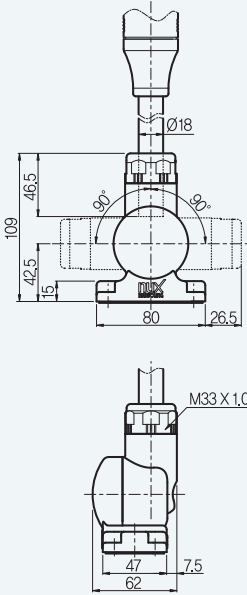
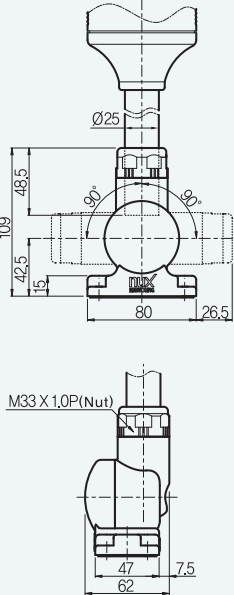
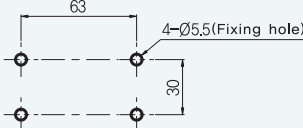
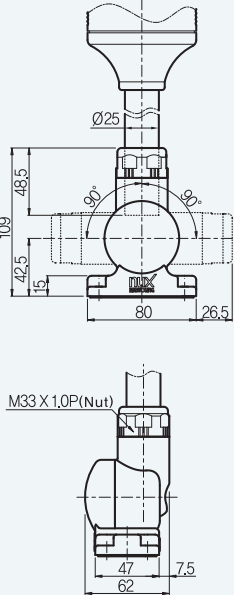
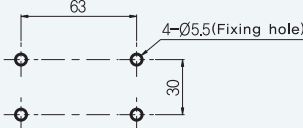
■ PNP transistor running



※ Wire length : 700 mm

□ Dimension and panel cutout (unit : mm)

Appearance	STS040-□□□	STS060-□□□	STS080-□□□
L type bracket			

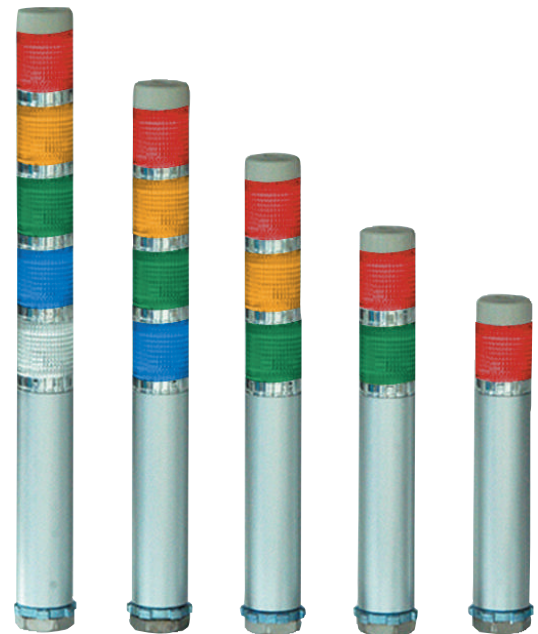
Appearance	STS040-□□□	STS060-□□□	STS080-□□□
 <p data-bbox="137 568 277 629">Plastic round bracket</p>			
 <p data-bbox="134 1229 300 1330">EMD elbow type bracket (optional)</p>	  	 	

※ Elbow type bracket : Applied to the Ø18, Ø25 pipe due to the plastic bushing.

LED Sign Tower

STL series (Ø25)

- Ø25 cylinder type, suitable design for the small machine and narrow space.
- Long life expectancy due to the HID LED light source.
- 1~5 modules stacking structure and colors (5 kinds).
- Install the aluminum pipe directly, simple installation structure design.
- Only for continuous light so economical price.
- Protective structure IP 54.



□ Suffix code

Model	Code	Description
STL	□ - □ □ □	Sign tower
Diameter	025	Ø25 cylinder type
Power supply voltage	D51	24 V DC (L.E.D light source)
Stacking	1	1 stack (Red)
	2	2 stack (Red, green)
	3	3 stack (Red, yellow, green)
	4	4 stack (Red, yellow, green, blue)
	5	5 stack (Red, yellow, green, blue, white)
Polarity	N	NPN (Common Anode)
	P	PNP (Common Cathode)

※ Color of modules can be changed at customer's request.
 ※ L type bracket sold separately.

□ Specification

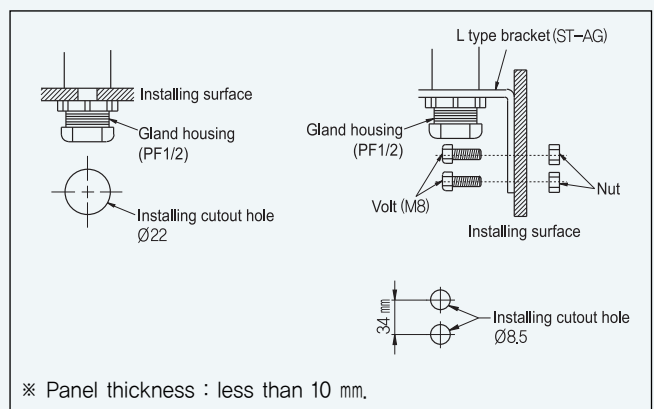
Diameter	Ø25 (Aluminum pipe)
Power supply voltage	24 V DC
Power consumption	approx. less than 4W (5 stacks standard, 0.6W for each stacks)
Light source	LED
Light type	Continuous light only
Radiating angle	360°
Lens material	Polycarbonate (P.C)
Lens color	Red, Yellow, Green, Blue and White
Degree of protection	IP 54

□ Dimension and panel cutout (unit : mm)

Model	Stacking	Height (H)	Dimension
STL025-D511	1 stack	135	
STL025-D512	2 stack	166	
STL025-D513	3 stack	197	
STL025-D514	4 stack	228	
STL025-D515	5 stack	259	

※ Wire length : approx. 1,000 mm

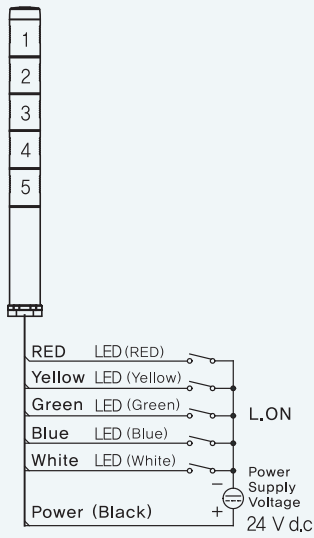
□ Installation method



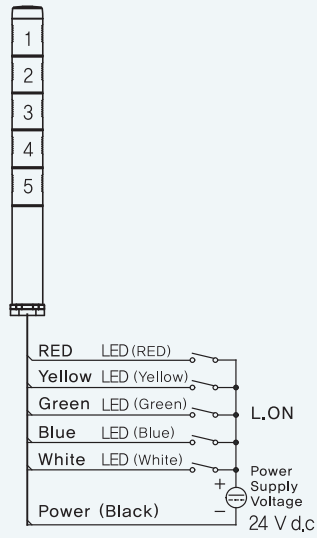
Connection diagram

Contact drive

- Polarity N (Common Anode)

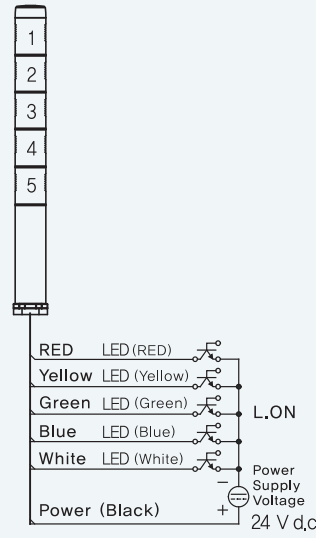


- Polarity P (Common Cathode)



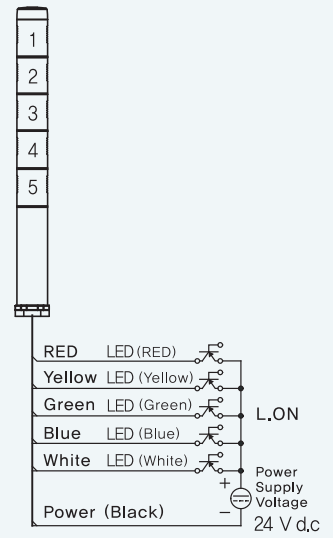
NPN transistor drive

- Polarity N (Common Anode)



PNP transistor drive

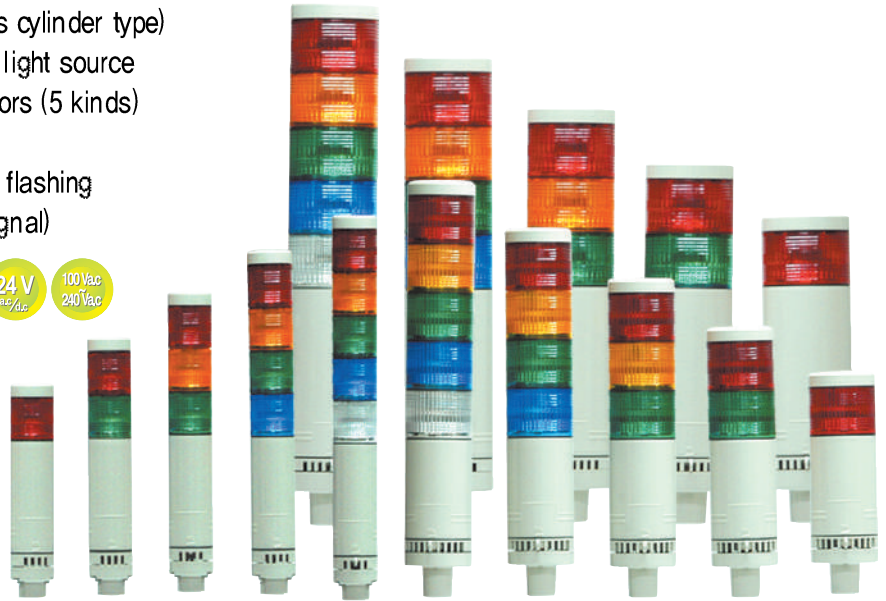
- Polarity P (Common Cathode)



LED Sign Tower

STL series (Ø40, Ø60, Ø80)

- Ø40, Ø60 and Ø80 various sizes (various cylinder type)
- Long life expectancy due to the HID LED light source
- 1~5 modules stacking structure and colors (5 kinds)
- Various installation method
- Continuous light only or continuous light, flashing light, Buzzer (selected by the external signal)



□ Suffix code

Model	Code			Description
STL	□	-□	□ □ □	Sign tower (LED light source)
Diameter	040			Ø40 cylinder type
	060			Ø60 cylinder type
	080			Ø80 cylinder type
Function	A			Continuous light only
	F			Continuous light, flashing light and buzzer (selected by the external signal)
Power supply voltage	C51			24 V DC/AC 50 – 60 Hz (dual usage)
	A11			100 – 240 V AC 50 – 60 Hz
Stacking	1			1 stack (Red)
	2			2 stack (Red, green)
	3			3 stack (Red, yellow, green)
	4			4 stack (Red, yellow green, blue)
	5			5 stack (Red, yellow, green, blue, white)
Bracket selection	D			Direct installation (bolt fixing installation)
	L			L type bracket
	M			Plastic bracket
Optional				Selecting type bracket (STM)
				Elbow type bracket installation (ETM)

※ Composition of stacking modules: Upper side (1st stack) to the lower side.

□ Specification

Model	STL040-□□□□	STL060-□□□□	STL080-□□□□
Diameter	Ø40	Ø60	Ø80
Function	Continuous light only, continuous light, flashing light, Buzzer (selected by the external signal)		
Number of stacks	1 ~ 5 stack		
Flashing time	60 times / 1min		
Buzzer melody type	Short beeping / Beeping (Volume of buzzer melody spreads out to 1 m)		
Buzzer melody volume	75 dB	85 dB	
Power supply voltage	24 V DC / AC (dual usage), 100 – 240 V AC 50 – 60 Hz		
Power consumption	Approx less than 8 W (5th stack standard, 1.2W for each stacks)		
Light source	LED		
Radiating angle	360°		
Lens material	Polycarbonate (P.C)		
Pipe material	Aluminum		
Lens color	Red, Yellow, Green, Blue and White		
Degree of protection	IP 54		

■ Applied the lens color to the HID LED

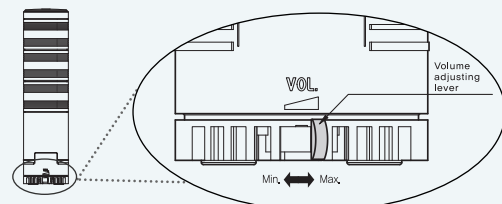
Emit the clear light by unifying the lens with Red LED, Yellow LED, Green LED, Blue LED and White LED.

■ Simple color change

Because LED unit is designed as connector structure type, changing color or repairing is simple.

■ Buzzer melody adjustment

There is a lever that can adjust the volume of buzzer (located at the bottom part of body)

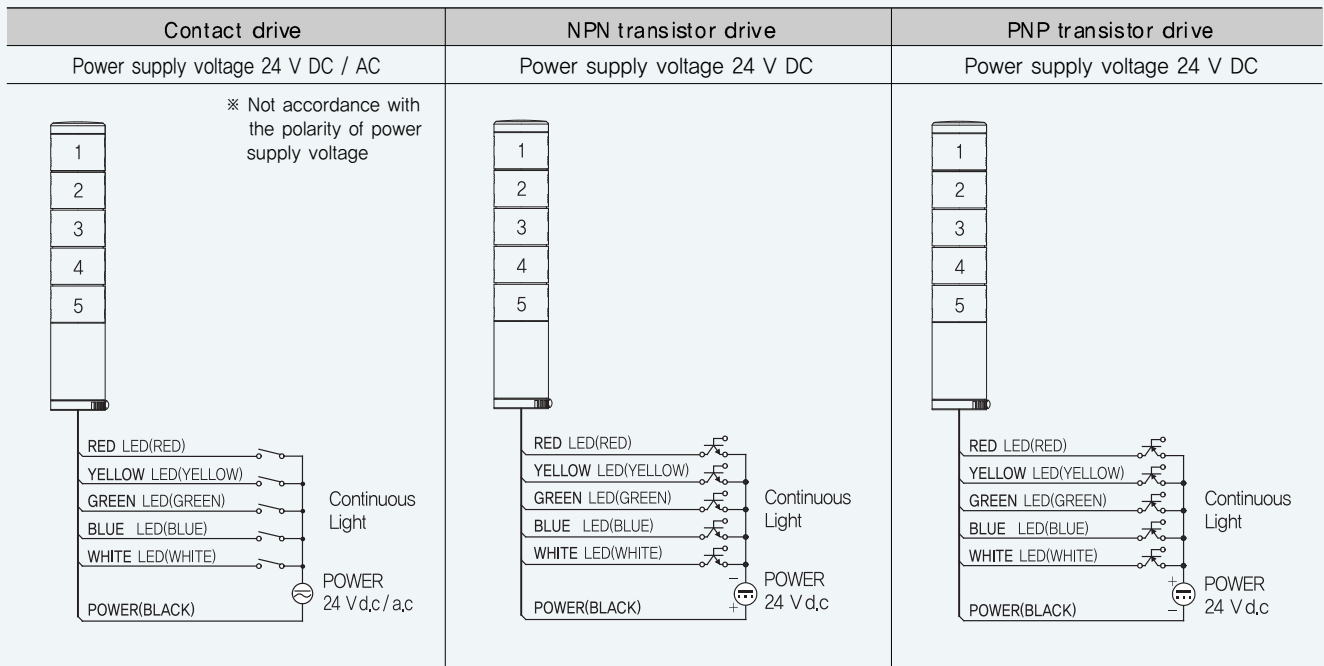


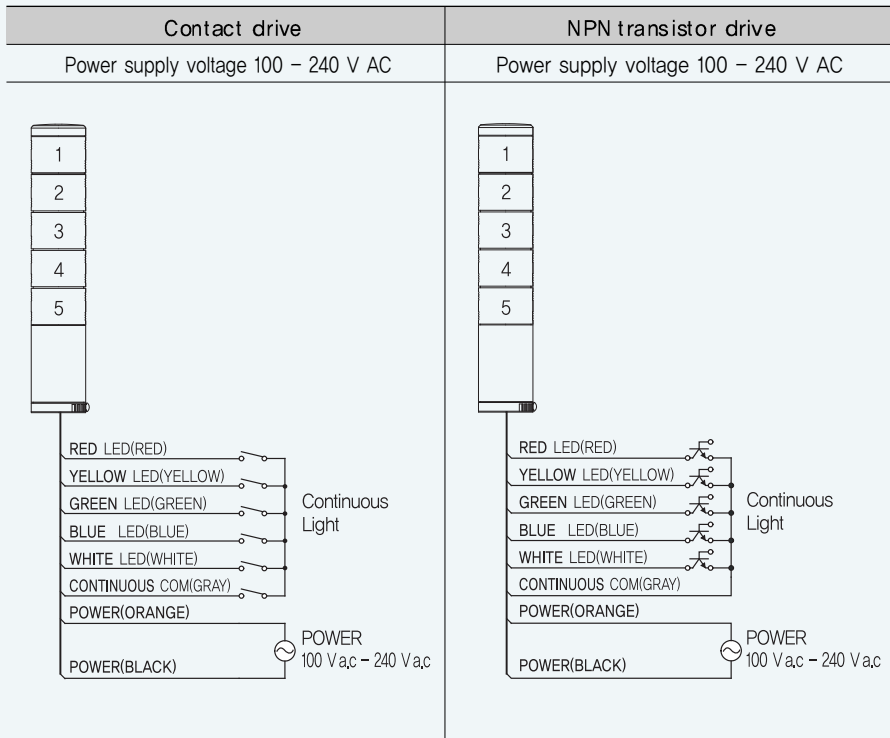
Dimension (unit : mm)

Model	STL040		STL060		STL080	
	STL040-□C51	STL040-□A11	STL060-□C51	STL060-□A11	STL080-□□	
Appearance						
Height(H) mm	1 stack	159	217	153	210	223
	2stack	195	253	194	251	269
	3stack	231	289	235	292	315
	4stack	267	325	276	333	361
	5stack	303	361	317	374	407

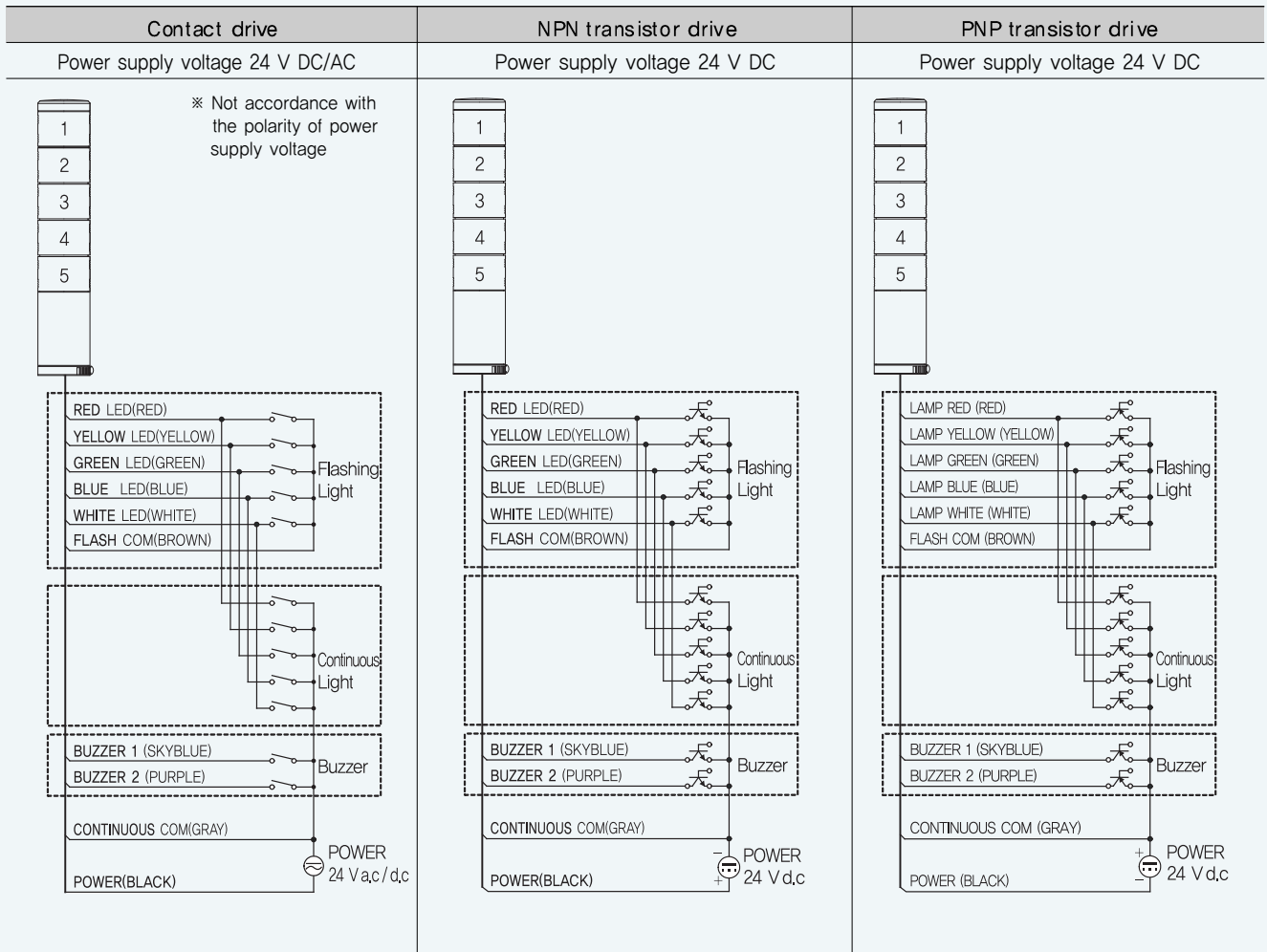
Connection diagram

■ Continuous light only (STL-040A, STL-060A, STL-080A)






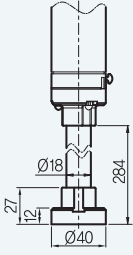
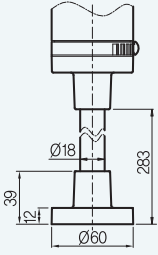
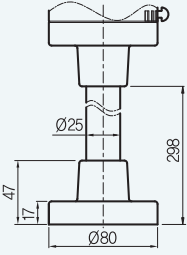
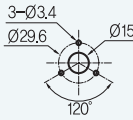
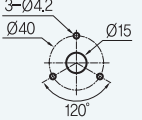
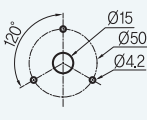

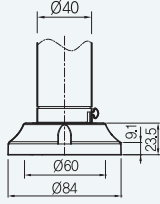
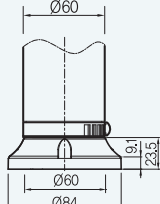
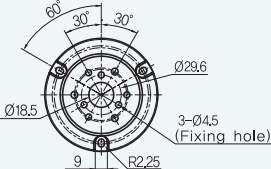
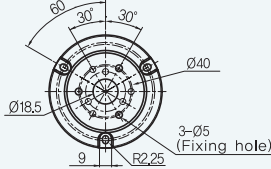

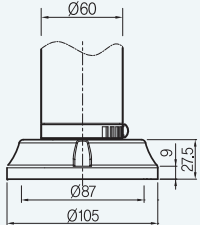
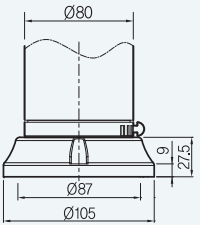
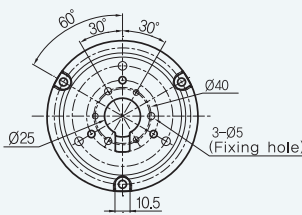
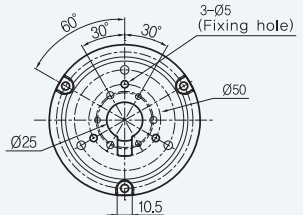
■ Continuous light, flashing light, buzzer (STL-040F, STL-060F, STL-080F)


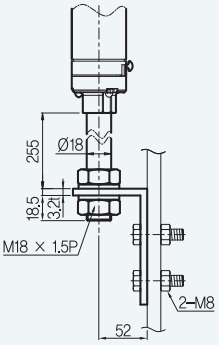
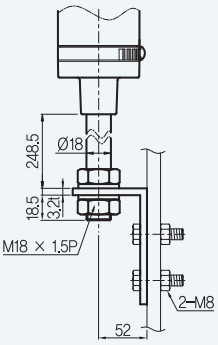
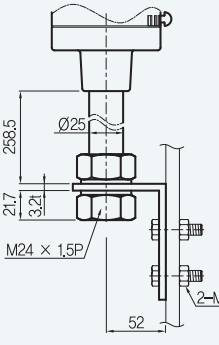
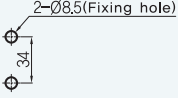
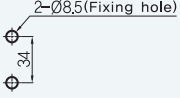
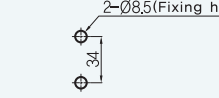

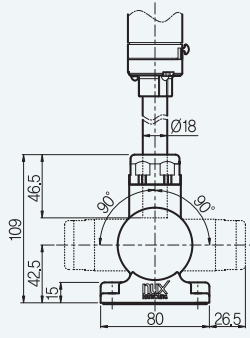
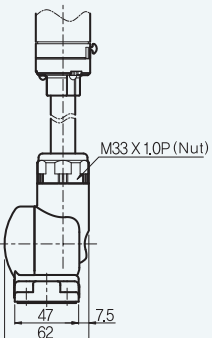
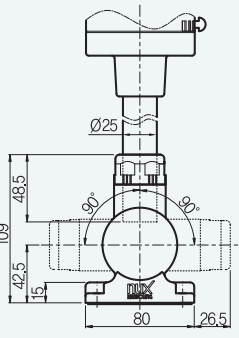
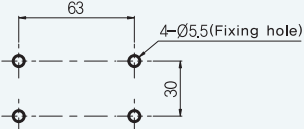
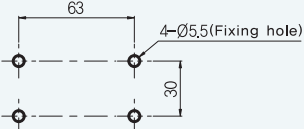
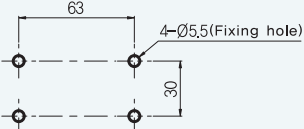


Contact drive	NPN transistor drive	PNP transistor drive
Power supply voltage 100 – 240 V AC	Power supply voltage 100 – 240 V AC	Power supply voltage 100 – 240 V AC
		Inapplicable

Dimension and panel cutout (unit : mm)

Appearance	STL040-□□□□	STL060-□□□□	STL080-□□□□
Direct installation			

Appearance	STL040-□□□□	STL060-□□□□	STL080-□□□□
 <p>Plastic round bracket</p>			
			
 <p>STM-84 Bracket (optional)</p>			Inapplicable
			
 <p>STM-105 Bracket (Optional)</p>	Inapplicable		
			

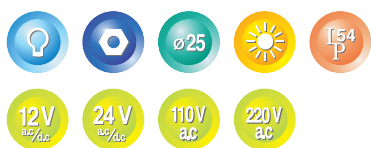
Appearance	STL040-□□□□	STL060-□□□□	STL080-□□□□
 <p data-bbox="140 779 293 808">L type bracket</p>			
	 <p data-bbox="564 629 711 651">2-Ø8,5(Fixing hole)</p>	 <p data-bbox="1177 629 1324 651">2-Ø8,5(Fixing hole)</p>	 <p data-bbox="1177 629 1324 651">2-Ø8,5(Fixing hole)</p>
 <p data-bbox="193 1402 293 1503">ETM Elbow bracket (optional)</p>			
	 <p data-bbox="938 1435 1082 1458">4-Ø5,5(Fixing hole)</p>	 <p data-bbox="938 1435 1082 1458">4-Ø5,5(Fixing hole)</p>	 <p data-bbox="938 1435 1082 1458">4-Ø5,5(Fixing hole)</p>

※ Elbow type bracket : Applied to the Ø18, Ø25 pipe due to the plastic bushing.

Sign Tower

STA series (Ø25)

- Ø25 cylinder type, suitable for the small machine and narrow space
- Incandescent lamp indicator (socket type)
- 2 ~ 4 modules stacking structure and 4 types of colors
- Pipe direct installation structure, simple installation
- Continuous light only



□ Suffix code

Model	Code	Description
STA	□ □	Sign tower (Ø25)
Power supply voltage	01	12 V DC/AC
	02	24 V DC/AC
	10	110 V AC
	20	220 V AC
Stacking	2	2 stack (Red, Green)
	3	3 stack (Red, Yellow, Green)
	4	4 stack (Red, Yellow, Green, Blue)

※ L type bracket sold separately.

□ Specification

Diameter size	Ø25		
Number of stacking	2 stack	3 stack	4 stack
Power supply voltage	12 V DC/AC, 24 V DC/AC, 110 V AC, 220 V AC		
Power frequency	50/60 Hz (dual usage)		
Light source	incandescent lamp (socket type)		
Radiating angle	360°		
Lens material	Polycarbonate (P.C)		
Pipe material	aluminum		
Lens color	Red, Yellow, Green, Blue		
Degree of protection	IP 54		

□ Dimension and panel cutout (unit : mm)

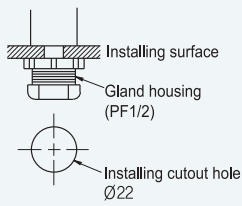
Model	Stacking	Height (H)	Dimension
STA-□2	2 stack	188	
STA-□3	3 stack	229	
STA-□4	4 stack	270	

※ Wire length : approx. 1,000 mm

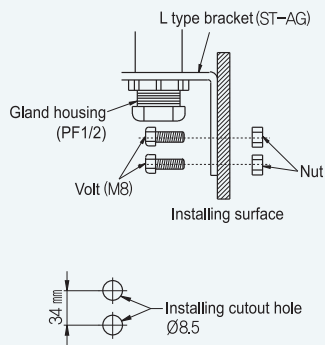
□ Lamp specification

Power supply voltage	12 V AC/DC	24 V AC/DC	110 V AC	220 V AC
Lamp capacity	12 V AC / 2 W	24 V AC / 2 W	110 V AC / 2 W	220 V AC / 2 W
Power consumption	2 stack	4 W	4 W	4 W
	3 stack	6 W	6 W	6 W
	4 stack	8 W	8 W	8 W

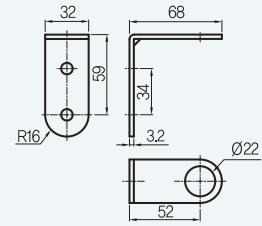
Installation method



※ Panel thickness : Less than 10 mm

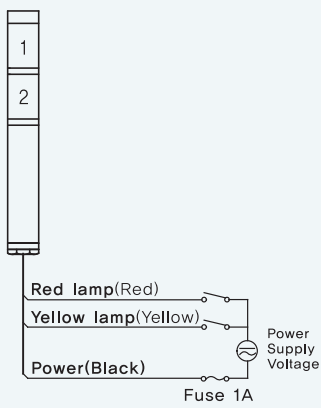


•ST-AG (Sold separately)

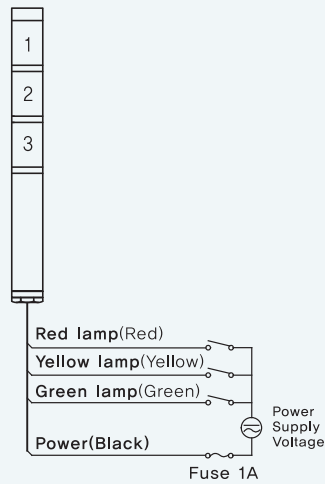


Connection diagram

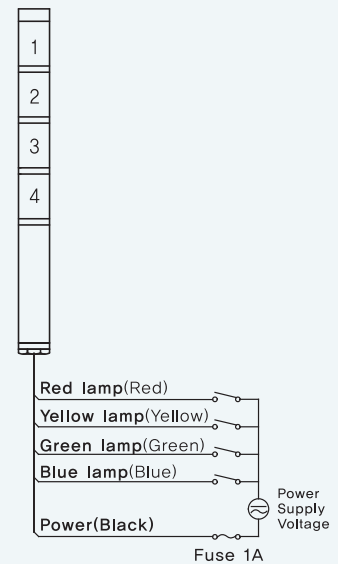
■ 2 stack



■ 3 stack

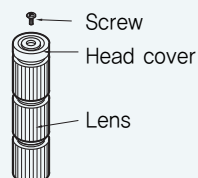
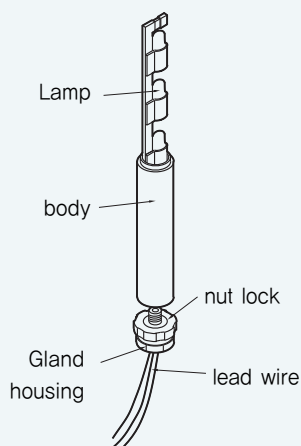


■ 4 stack

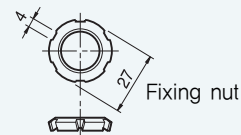


※ DC power supply voltage: ignore the fact of polarity
 ※ Wire length : 500 mm

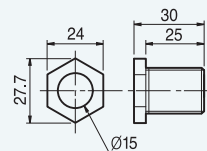
Name of each part



•Mounting part



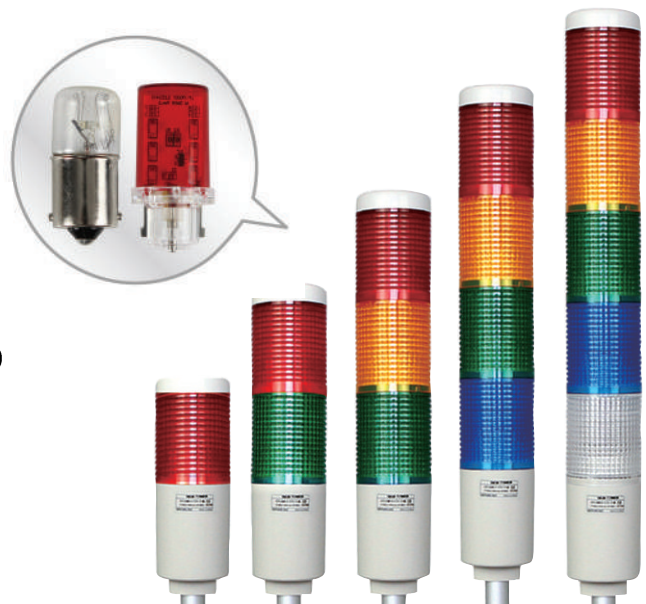
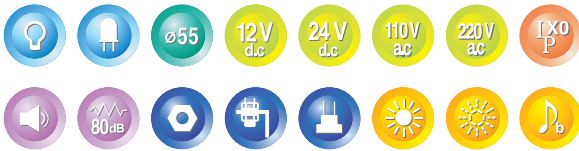
•Gland housing



Sign Tower

HY-TN series (Ø55)

- Ø55 cylinder type
- Applied to the socket type incandescent lamp
- 1~5 stacking structure and 5 kinds of colors
- Continuous light only, continuous light, flashing light, Buzzer (selected by the external signal)



□ Suffix code

Model	Code	Description
HY-	□ □ □ □	HY-TN series sign tower
Function	TN	Continuous light only
	TWN	Continuous light, flashing light
	TBN	Continuous light, buzzer
	TWBN	Continuous light, flashing light, buzzer
	TLN	Continuous light only
	TWLN	Continuous light, flashing light
	TBLN	Continuous light, buzzer
	TWBLN	Continuous light, flashing light, buzzer
Power supply voltage	12	12 V DC
	24	24 V DC
	110	110 V AC
	220	220 V AC
Stacking modules	1	1 stack (Red)
	2	2 stack (Red, green)
	3	3 stack (Red, yellow, green)
	4	4 stack (Red, yellow, green, blue)
	5	5 stack (Red, yellow, green, blue, white)
Supporter selection	None (L type bracket standard)	
Optional	Plastic bracket installation (ST-011)	
	MP-60 Plastic bracket installation (Bar type)	

□ Lamp specification and current consumption

Power supply voltage	12 V DC	24 V DC	110 V AC	220 V AC	12 V DC	24 V DC	110 V AC	220 V AC	
Lamp capacity	5 W				1.2 VA	1.2 VA	2 VA	4 VA	
Light source type	Bulb (BA15S)				LED (BA15S)				
Current consumption	1 stack	0.42 A	0.21 A	0.07 A	0.04 A	96 mA	48 mA	18 mA	18 mA
	2 stack	0.84 A	0.42 A	0.14 A	0.08 A	192 mA	96 mA	36 mA	36 mA
	3 stack	1.26 A	0.63 A	0.20 A	0.11 A	288 mA	144 mA	54 mA	54 mA
	4 stack	1.68 A	0.84 A	0.27 A	0.14 A	384 mA	192 mA	72 mA	72 mA
	5 stack	2.10 A	1.05 A	0.33 A	0.17 A	480 mA	240 mA	90 mA	90 mA

□ Specification

■ HY-TN

Model	HY-TN□□	HY-TWN□□	HY-TBN□□	HY-TWBN□□
Function	continuous light only	continuous light, flashing light	continuous light, Buzzer	continuous light, flashing light, Buzzer
Diameter	Ø55			
Number of stacks	1 ~ 5 stack			
Flashing time	-	60 times/1min	-	60 times/1min
Buzzer melody type	-		Single melody, beeping	
Buzzer melody volume	-		80 dB (1 m distance)	
Power supply voltage	12 V DC, 24 V DC, 110 V AC, 220 V AC 50/60 Hz			
Light source	Incandescent lamp (BA 15S)			
Ambient Temperature	-5 ~ 50 °C			
Ambient Humidity	35 ~ 85% R.H			
Radiating angle	360°			
Pipe material	Aluminum			
Lens color	Red, Yellow, Green, Blue, White			
IK cord	IK06			
Cetification	CE			

■ HY-TLN

Model	HY-TLN□□	HY-TWLN□□	HY-TBLN□□	HY-TWBLN□□
Function	continuous light only	continuous light, flashing light	continuous light, Buzzer	continuous light, flashing light, Buzzer
Diameter	Ø55			
Number of stacks	1 ~ 5 stack			
Flashing time	-	60 times/1min	-	60 times/1min
Buzzer melody type	-		Single melody, beeping	
Buzzer melody volume	-		80 dB (1 m distance)	
Power supply voltage	12 V DC, 24 V DC, 110 V AC, 220 V AC 50/60 Hz			
Light source	LED (BA 15S)			
Ambient Temperature	-5 ~ 50 °C			
Ambient Humidity	35 ~ 85% R.H			
Radiating angle	360°			
Pipe material	Aluminum			
Lens color	Red, Yellow, Green, Blue, White			
IK cord	IK06			
Cetification	CE			

Dimension (Unit : mm)

Model	HY-TN, HY-TWN	HY-TBN, HY-TWBN
	HY-TLN, HY-TWLN	HY-TBLN, HY-TWBLN
Dimension		

Installation method

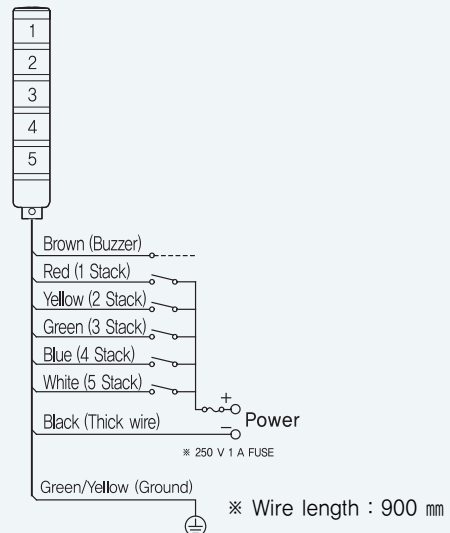
- When controlling more than 2 sign towers at the same time, please use independent contact. (TWN type)
- With the 110 V, 220 V AC specification of TWN type and TWBN type, please do not connect the yellow and green wire to the power line (red and black)
- When operating the Buzzer, please connect the brown wire (for buzzer) to the L.ON (light on) wire or flashing wire. It is able to select as continuous melody (TNB type) and single melody. (TWBN type)
- When operating the buzzer and indicator at the same time, please connect the brown wire of buzzer to the signal input wire of indicator that users want to operate the buzzer. Single melody when light is flashing and continuous melody when light is continuously ON.
- With the 12 V DC and 24 V DC specifications, black wire (thickness : 0.75 mm) is (-).
- please connect ground wire (Green/Yellow) to the ground contact part of the main machine. (only for AC)

Supporter appearance and panel cutout (Unit : mm)

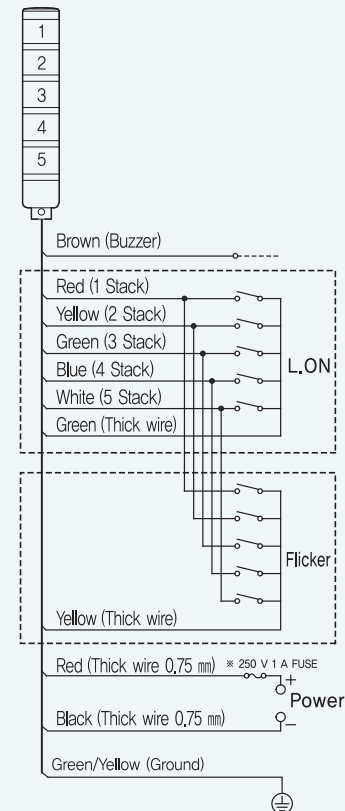
Appearance	Dimension and panel cutout	
<p>ST-011</p>		
<p>L type supporter</p>		

Connection diagram

■ HY-TN, HY-TBN, HY-TWN, HY-TWBN



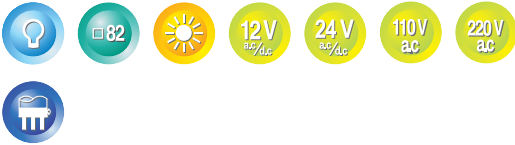
■ HY-TLN, HY-TBLN, HY-TWLN, HY-TWBLN



Cube Tower

CTB-TB series

- Side length 82 mm square pillar type
- 1 stack or 2 stacks structures and 4 kinds of colors
- Incandescent lamp and square pillar type indicator
- Direct installation type and built-in the lamp lock ring



□ Suffix code

Model	Code	Description
CTB-TB	□ □	82 mm square pillar type indicator (only for L.ON)
Power supply voltage	01	12 V DC/AC
	02	24 V DC/AC
	10	110 V AC
	20	220 V AC
Stacking	1	1 stack (red) ※ order-made
	2	2 stack (red, blue)

□ Power specification

Stacking	Power supply voltage	Lamp capacity	Lamp base	Weight
2 stacking standard	12 V DC	12 V 10 W	E 12	1 stack :
	24 V DC	24 V 10 W		300 g
	110 V AC	110 V 10 W		2 stack :
	220 V AC	220 V 10 W		500 g

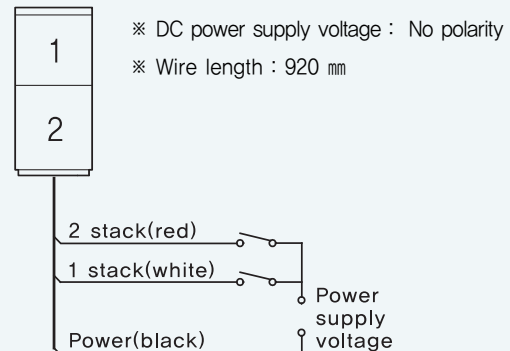
□ Dimension (unit : mm)

Model	Appearance	Dimension and panel cutout
CTB-TB		

□ Specification

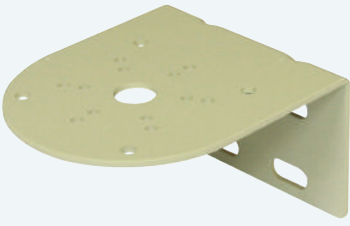
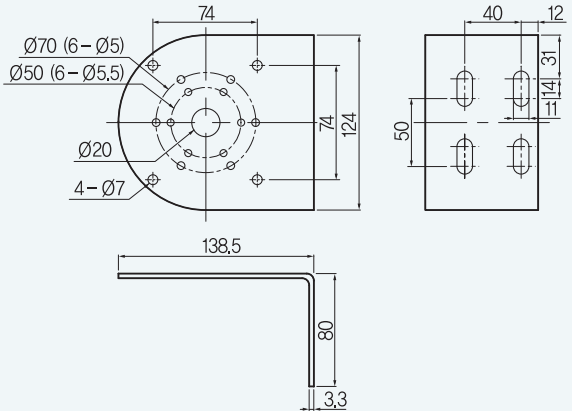
Model	CTB-TB□1	CTB-TB□2
Diameter	82 mm square pillar	
Function	Continuous light Only	
Number of stacking	1 stack (Order made)	2 stack
Light source	Incandescent lamp (base : E12)	
Lens material	Acrylic resin	
Lens color	Selectable among red, yellow, green and blue	
Degree of protection	For indoor usage	
Ambient temperature	-10 ~ 55 °C	

□ Connection diagram



Bracket (optional) (unit : mm)

Multi installation bracket that can be applied to the 25 indicator, 82 angles / 116 angles rotating indicator, flashing light and etc

Appearance	Dimension
 <p data-bbox="300 763 379 792">ST-013</p>	 <p data-bbox="694 376 1268 784">Technical drawing showing dimensions for the bracket. The top view is a semi-circle with a diameter of 124 mm. It features a central hole with a diameter of $\varnothing 20$ mm and four smaller holes with a diameter of $\varnothing 7$ mm. The outer edge has a diameter of $\varnothing 70$ mm (6 holes) and an inner diameter of $\varnothing 50$ mm (6 holes). The side view shows a height of 80 mm and a thickness of 3.3 mm. The detail view shows a width of 40 mm and a height of 31 mm.</p>

Cube Tower

CTB-KBB/CTC-KBM

- Various square pillar types such as side length 82 mm and 116 mm
- 1~3 stacking structure and 3 kinds of colors
- Incandescent lamp light source, square pillar type rotating indicator
- Rotating continuous light, buzzer or rotating continuous light, 4 melodies



□ Suffix code

Model	Code	Description
CTB-KBB	□ □	82 mm square pillar type Cube tower (Turn light) (buzzer built in)
CTC-KBM	□ □	116 mm square pillar type Cube tower (Turn light) (4 melody type built in)
Power supply voltage	02	24 V DC/AC
	10	110 V AC
	20	220 V AC
Stacking	1	1 stack (Red)
	2	2 stack (Red, green)
	3	3 stack (Red, yellow, green)


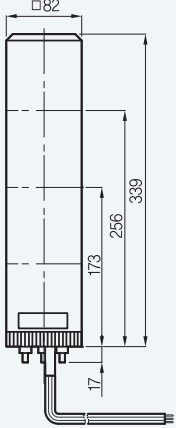
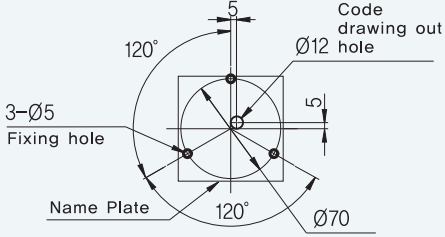

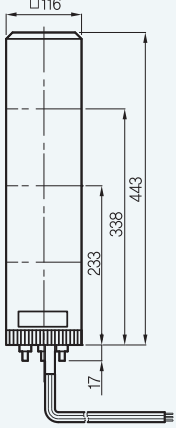
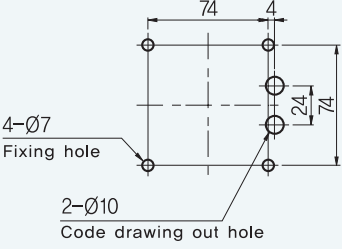
□ Power specification

Stacking number	Power supply voltage	Lamp capacity	Lamp base	Weight (g)	
				CTB-KBB□□	CTC-KBM□□
1 stack	24 V DC	24 V 10 W	BA 15S	500	1,300
	110 V AC	12 V 5 W		700	1,600
	220 V AC	12 V 5 W			
2 stack	24 V DC	24 V 10 W	BA 15S	800	2,000
	110 V AC	12 V 5 W		1,200	2,500
	220 V AC	12 V 5 W			
3 stack	24 V DC	24 V 10 W	BA 15S	1,200	2,500
	110 V AC	12 V 5 W		1,600	3,000
	220 V AC	12 V 5 W			

□ Specification

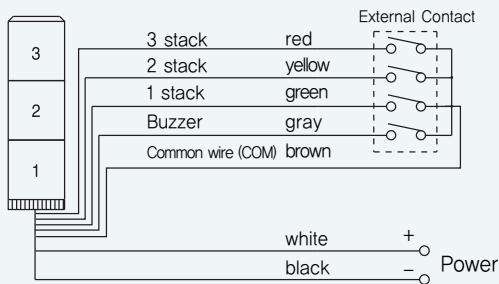
Model	CTB-KBB□□	CTC-KBM□□
Diameter	82 Square Pillar	116 Square Pillar
Function	Rotating continuous light and buzzer	Rotating continuous light and 4 melodies
Stacking	1 ~ 3 stack	
Rotating speed	160 times/1 min	
Alarm	Buzzer	4 melodies
Light source	Incandescent lamp (BA 15S)	
Lens material	Acrylic resin	
Lens color	red, yellow, green	
Degree of protection	IP 23	
Ambient temperature	-10 ~ 55 °C	

□ Dimension (unit : mm)

Appearance	Dimension	panel cutout
 <p>CTB-KBB□3</p>		
 <p>CTC-KBM□3</p>		

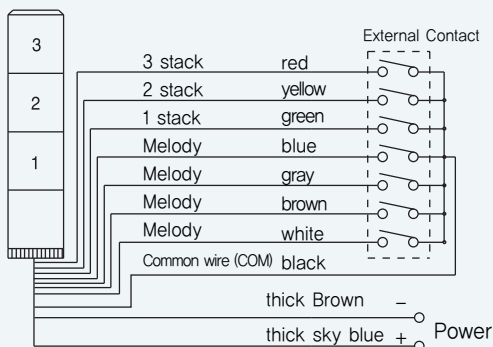
□ Connection diagram

■ CTB-KBB (82 square pillar type)



- Wire : white and black. Rests are external signal wire
- Please do not supply power in to the external signal wire.
- Thick white wire is "+" in case of DC power voltage
- After completing the wiring, please insulate the wires that users do not use.

■ CTC-KBM (116 square pillar type)



- Power wire : thick brown and thick sky blue. Rests are external signal wire
- Please do not supply power in to the external signal wire
- Thick sky blue wire is "+" in case of DC power voltage
- After completing the wiring, please insulate the wires that users do not use
- Melody types
 - ① Brown : dingdong-dingdong
 - ② Gray : tidi-tidi
 - ③ Blue : for Alice
 - ④ White : repeats above three melodies

※ Wire length : 400 mm

Sign Tower
■ Wall Mounted Light
Turn Light
Signal Light

WALL MOUNTED LIGHT

WME/WMS series

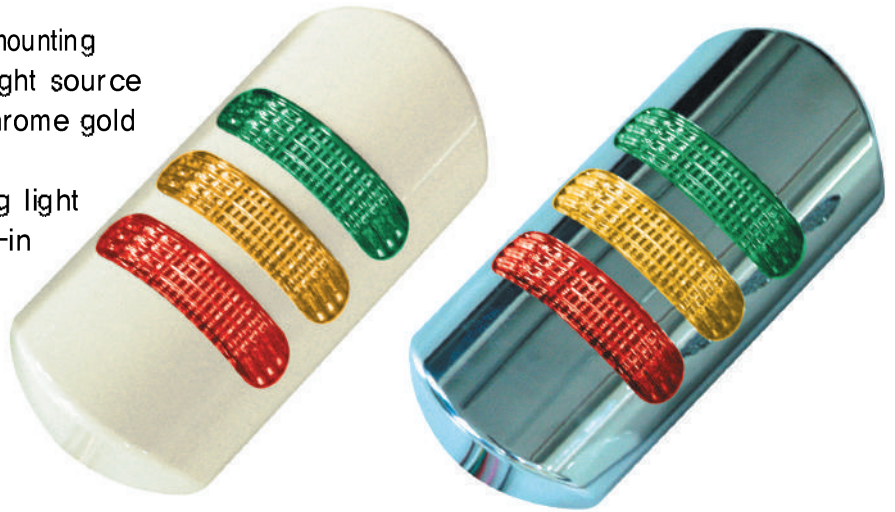
WT/WTS series



Wall Mounted Light

WME series

- Slim body type and suitable for wall mounting
- Long life expectancy by HID LED light source
- 2 types of body : Beige color or chrome gold plating
- Continuous light indication, flashing light indication, 2 melodies buzzer built-in
- Degree of protection IP54



□ Slim type wall mounted light



Able to install it on the wall in the vertical direction or horizontal direction and since it is a slim type (extended 43 mm), it occupies a less space to install.

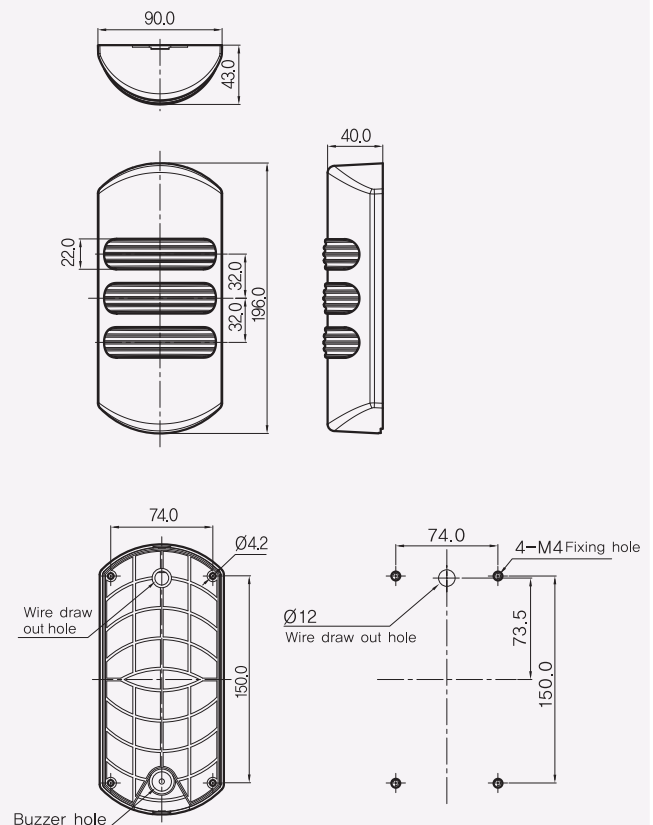
□ Suffix code

Model	Code	Description
WME-	<input type="checkbox"/> <input type="checkbox"/> <input type="checkbox"/>	Wall mounted light
Appearance	B	Beige color body
	C	Chrome gold plating body
Function	A	Continuous light indication
	F	Continuous light indication, flashing light indication, buzzer (selected by the external signal)
Power supply voltage	C51	24 V DC/AC dual usage, 50 - 60 Hz

□ Specification

Model	WME-BA	WME-CA	WME-BF	WME-CF
Appearance	Beige color body	Chrome gold plating body	Beige color body	Chrome gold plating body
Function	Only for continuous light		Continuous light, flashing light, buzzer (selected by the external signal)	
Stacking number	3 stack			
Flashing time	-		Approx 60 times / 1min	
Buzzer	-		2 types of melodies (single melody/beeping) approx 80 dB (1 m distance)	
Power supply voltage	24 V DC/AC (dual usage), 50 - 60 Hz ※ 12 V DC/AC (Order made)			
Current consumption	Max 2.1 W			
Light source	LED			
Material	Lens : Polycarbonate (P.C), Body : ABS			
Lens color	Red, Yellow, Green			
Degree of protection	IP54			

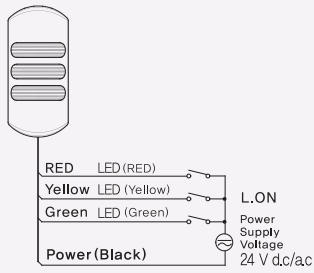
□ Dimension and panel cutout (unit : mm)



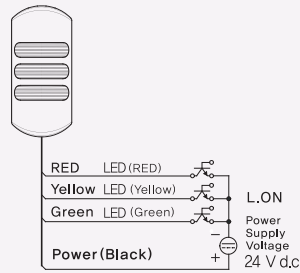
□ Connection diagram

■ WME-BA, WME-CA (Continuous light only)

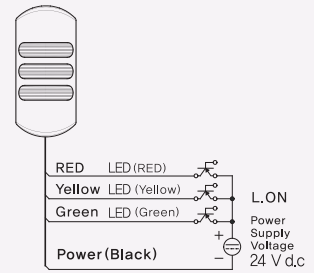
• Contact drive



• NPN transistor drive

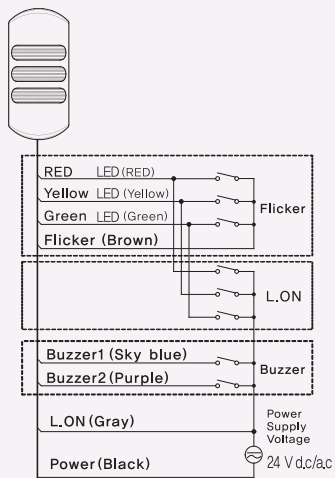


• PNP transistor drive

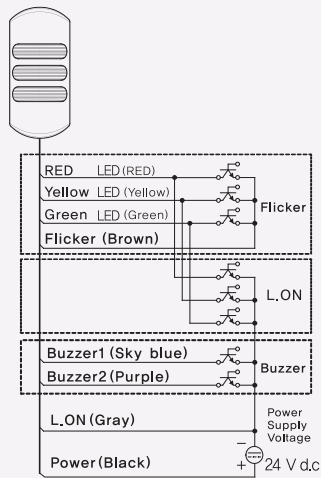


■ WME-BF, WME-CF (Continuous light, flashing light, buzzer)

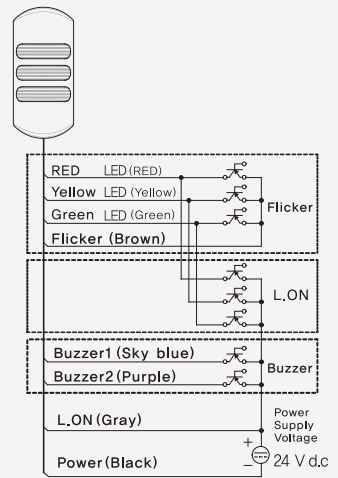
• Contact drive



• NPN transistor drive



• PNP transistor drive

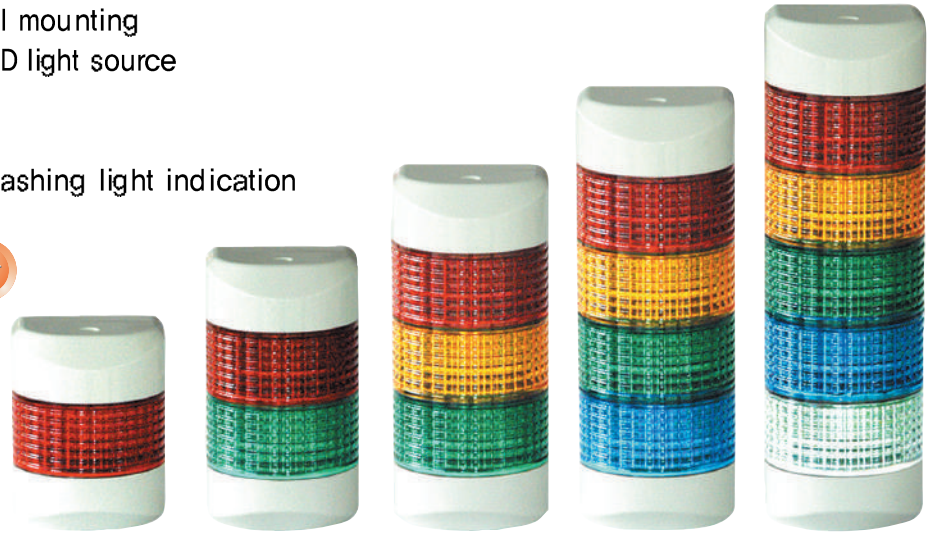


※ Wire length : 1,000 mm

Wall Mounted Light

WMS series

- 1~5 modules, suitable for wall mounting
- Long life expectancy by HID LED light source
- 2 types of buzzer melodies (single melody/beeping)
- Continuous light indication, flashing light indication
- Degree of protection IP54



□ Slim type wall mounted light



Able to install it on the wall in a vertical direction or horizontal direction and since it is a slim type (extended 65 mm), it occupies a less space to install.

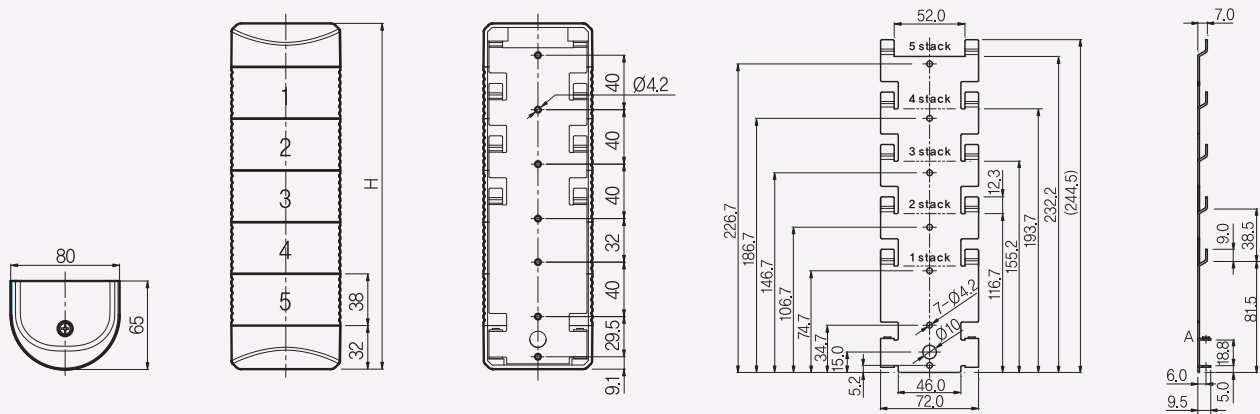
□ Suffix code

Model	Code	Description
WMS-	□ □ □	Wall mounted light
Function	A	Only for continuous light
	F	Continuous light, flashing light, buzzer (selected by the external signal)
Power supply voltage	C51	24 V DC/AC dual usage, 50 - 60 Hz (Standard specification)
	C41	12 V DC/AC dual usage, 50 - 60 Hz ※ "C41" Order made
Stacking modules	1	1 stack (Red)
	2	2 stack (Red, green)
	3	3 stack (Red, yellow, green)
	4	4 stack (Red, yellow, green, blue)
	5	5 stack (Red, yellow, green, blue, white)

□ Specification

Model	WMS-A□C51	WMS-F□C51
Function	Only for continuous light	Continuous light, flashing light, buzzer (selected by the external signal)
Stacking number	1 ~ 5 stack	
Flashing time	-	Approx 60 times/1min
Buzzer	-	2 types of melodies (single melody/beeping) 70 dB (1 m distance)
Power supply voltage	24 V DC/AC (dual usage), 50 - 60 Hz ※ 12 V DC/AC 50 - 60 Hz (Order made)	
Power consumption	Max 3.2 W (including the 5 buzzer) ※ But, 0.5 W (Lamp/1 stack)	
Light source	LED	
Material	Lens : Polycarbonate (P.C), Body : ABS	
Lens color	Red, yellow, green, blue, white (Left to right, top to button)	
Degree of protection	IP54	

Dimension and panel cutout (unit : mm)

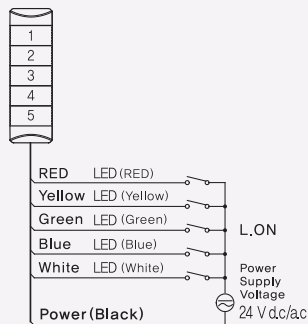


Stacks	1 stack	2 stack	3 stack	4 stack	5 stack
Height (H)	102	140	178	216	254

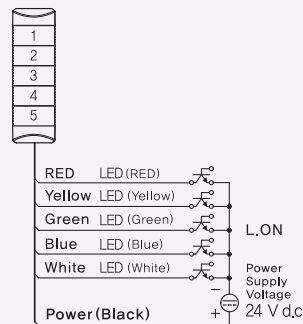
Connection diagram

WMS-A (Continuous light only)

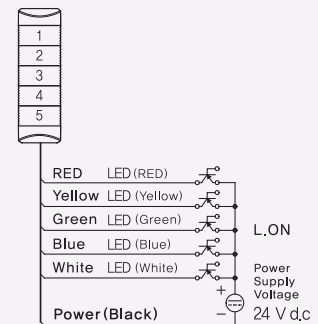
Contact drive



NPN transistor drive

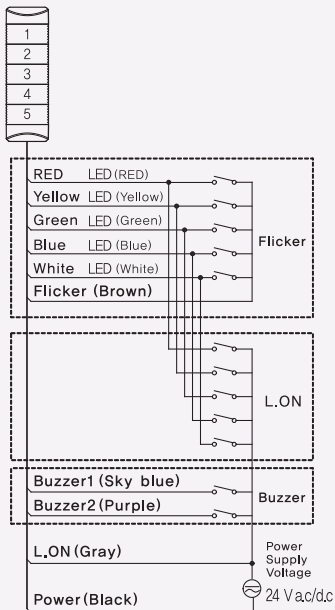


PNP transistor drive

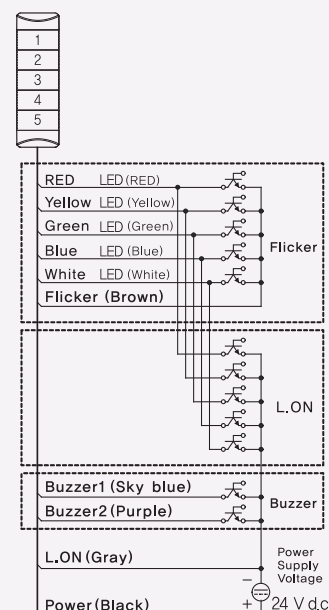


WMS-F (Continuous light, flashing light, buzzer)

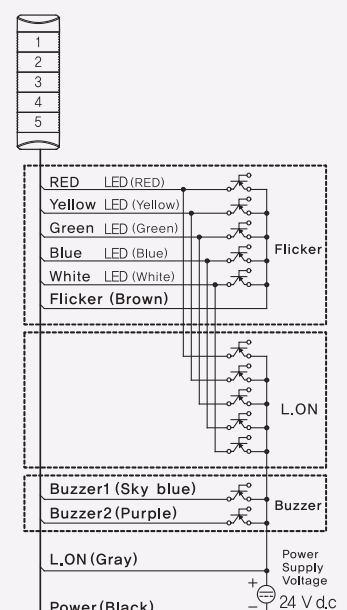
Contact drive



NPN transistor drive



PNP transistor drive

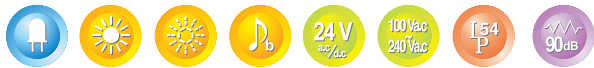


* Wire length : 1,000 mm

Turn light with sensor

WT/WTS series

- Semi-permanent life expectancy by applying the LED light source
- Excellent resistance from the vibration by applying the flat type LED light source
- Standard color : Red, Yellow and Green
- Suitable for security issue (Sensor one-body type)
- Turn light starts to operate when motion is detected. (Sensor one-body type)
- Simple wiring and installing due to applying the wall mounted installation type
- Excellent diffusivity by applying the spinning reflector exclusive for LED
- Not only the turn light is built in, but also 4 melody tones (90dB) are built in.



Simple wall mounted installation structure



It is designed as fixing the terminal by separating from the body so it allows users to install easily.

Also, wiring is simple because the turn light is one-body type. (WTS sensor one-body type)

Suffix code

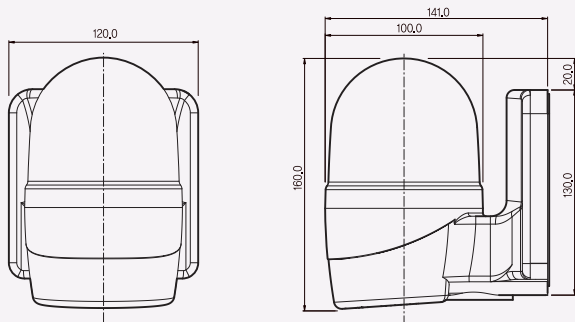
Model	Code	Description
WT-	□ □ □	Wall-mounted type LED turn light
WTS-		With PIR sensor
Cap shape	P	Round cap
	F	Square cap
Power supply voltage	C51	24 V DC / AC, 50 - 60 Hz
	C41	100 - 240 V AC, 50 - 60 Hz
Cap color	R	Red
	G	Yellow
	B	Green

Specification

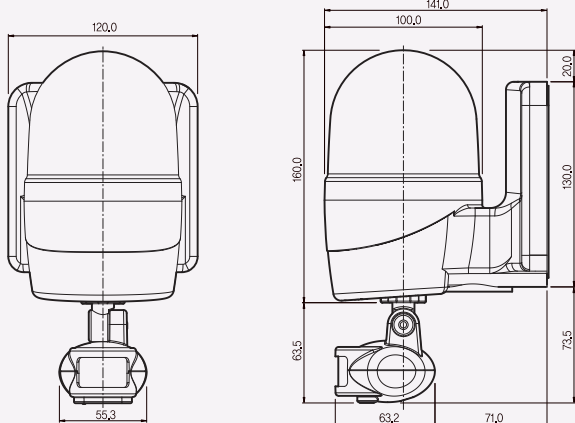
Model	WT-□C51□	WT-□A11□	WTS-□C51□	WTS-□A11□
Function	Turn Light		Turn light with sensor	
Detection range	-		10 m	
Dimension	∅ 100 (round cap)			
Power supply voltage	24 V DC / AC, 50 - 60 Hz	100 - 240 V AC, 50 - 60 Hz	24 V DC / AC, 50 - 60 Hz	100 - 240 V AC, 50 - 60 Hz
Power consumption	3.3 W max		6 W max	
Revolution	Approx. 180 times/1 min (reflector)			
Light source	Flat type LED (1 W)			
Cap(sensor)material	P.C(Polycarbonate)			
Body	Heat resistant ABS copolymer			
Cap color	Red, Yellow, Green			
Environmental operation range	Temperature : -5 ~ 50 °C, humidity : 35 ~ 85 % R.H without dew condensation			
Melody tone	Approx. 90 dB (4 melody tones)			

□ Dimension and installation panel cutout (Unit : mm)

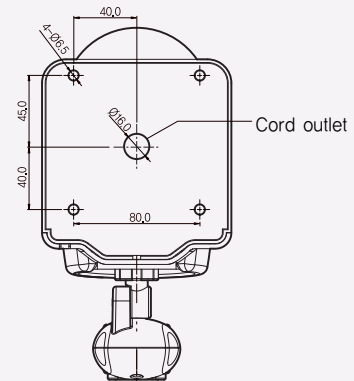
■ WT



■ WTS



■ Installation panel cutout

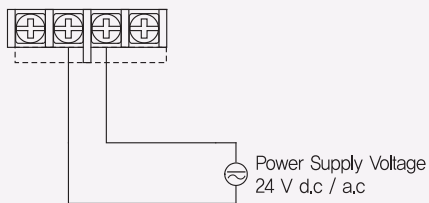


※ WT and WTS have same installation panel cutout

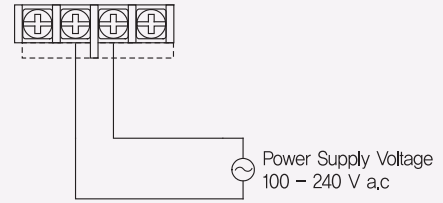
□ Connection diagram

■ Sensor one body type turn light (WTS)

WTS- □C51□ Drive by the sensor operation

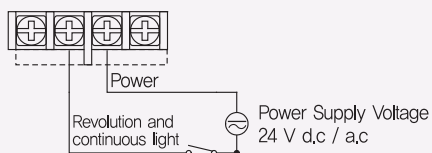


WTS- □A11□ Drive by the sensor operation

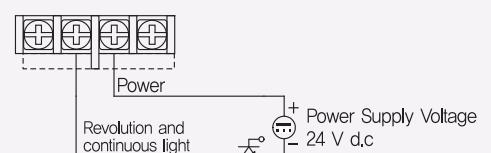


■ Turn light (WT)

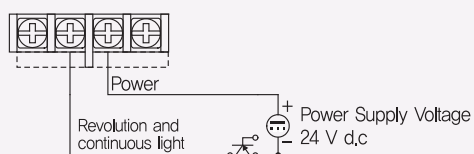
WT - □C51□ Contact drive



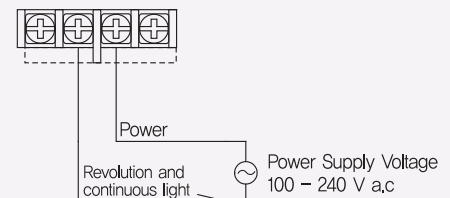
WT - □C51□ NPN Transistor drive



WT - □C51□ PNP Transistor drive



WT - □A11□ Contact drive



Sign Tower
Wall Mounted Light

■ Turn Light
Signal Light

TURN LIGHT

- TLB series / TL100, T series,
RLA-KB/KBB



TLB060 Turn Light

TLB series

- Ø70 compact flashing light
- Rotating continuous light, rotating continuous light and buzzer
- Incandescent lamp indicator (socket type)
- Direct mounting type, support mounting type
- 24 V DC/AC or 100 - 240 V AC.



□ Suffix code


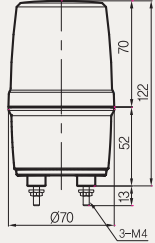
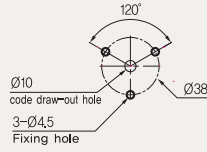

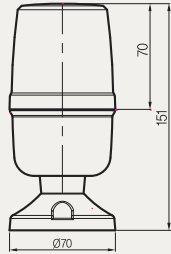
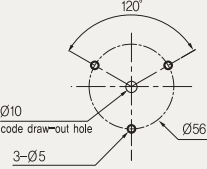

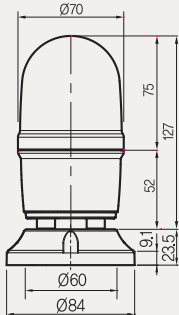
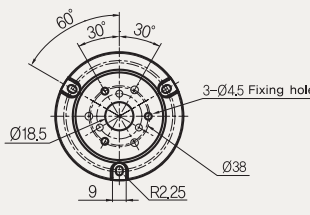
Model	Code	Description
TLB	□-□□□□	Turn light
Dimension	060	Ø70 Cap
Cap shape	P	Round cap direct installation ※ Optional (bracket: STM-84)
	F	Rectangular cap direct installation
	R	Round cap support installation ※ "F" function selection excluded
	X	Rectangular cap support installation
Function	A	Rotating continuous light
	F	Rotating continuous light, Buzzer ※ Cap shape, R, X type excluded
Power supply voltage	C51	24 V DC/AC 50 - 60 Hz
	A11	100 - 240 V AC 50 - 60 Hz
Cap color	R	Red
	Y	Yellow
	G	Green

□ Specification

Model	TLB060 □AC51	TLB060 □AA11	TLB060-PFC51 TLB060-FFC51	TLB060-PFA11 TLB060-FFA11
Function	Rotating continuous light		Rotating continuous light, buzzer	
Dimension	Ø70			
Power supply voltage	24 V DC/AC	100 - 240 V AC	24 V DC/AC	100 - 240 V AC
Power frequency	50 - 60 Hz			
Power consumption	max 7 W	max 11 W	max 7 W	max 11 W
Rotation speed	Approx 210 times/min			
Light source (socket)	Incandescent lamp (BA 15S)			
Lamp capacity	24 V 5 W			
Buzzer	-		Buzzer built in (approx 80dB from distance 1 m)	
Cap material	Polycarbonate (P.C)			
Body	ABS resin			
Cap color	Red, Yellow, Green			
Degree of protection	IP54			

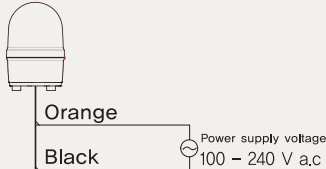
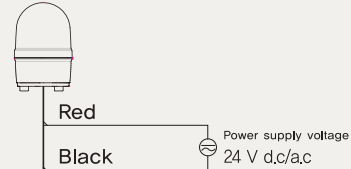
□ Dimension and panel cutout (unit : mm)

Model	Appearance	Dimension and panel cutout
TLB060-P		
TLB060-R		

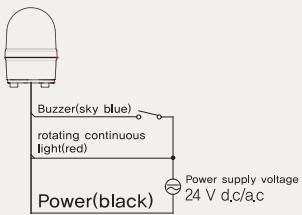
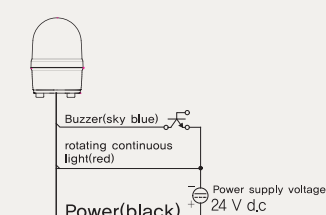
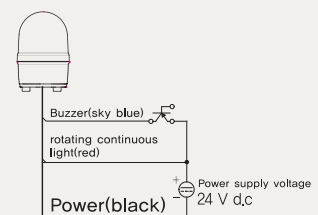
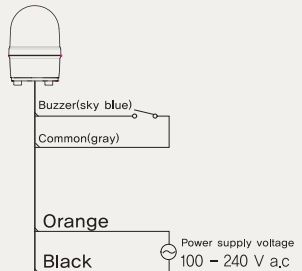
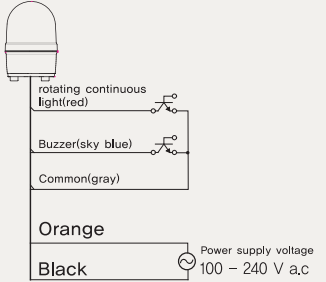
Model	Appearance	Dimension and panel cutout
TLB060-F		 
TLB060-X		 
Support: STM-84 (optional)		 

□ Connection diagram

■ Rotating continuous light

TLB060-□AA 11	TLB060-□AC 51
	

■ Rotating continuous light, buzzer

Model	Contact drive	NPN transistor drive	PNP transistor drive
TLB060- □FC 51			
TLB060- □FA 11			Inapplicable

※ We recommend installing the fuse at inner part of the power input wire for the safety

※ In case of using transistor, please consider the polarity of power input even with the 24 V DC/AC power supply voltage.

TLB100 Turn Light

TLB series

- Ø100 middle size rotating flashing light
- Rotating continuous light, rotating continuous light and buzzer
- Incandescent lamp indicator (socket type)
- Direct mounting type (support mounting type is optional)
- 24 V DC/AC or 100 - 240 V AC



□ Suffix code

Model	Code	Description
TLB	□-□□□□	Turn light
Dimension	100	Ø100 Dimension
Cap shape	P	Round cap direct installation ※ Optional
	F	Rectangular cap direct installation Bracket : STM-105, MTM-98
Function	A	Rotating continuous light
	F	Rotating continuous light, Buzzer
Power supply voltage	C51	24 V DC/AC 50 - 60 Hz
	A11	100 - 240 V AC 50 - 60 Hz
Cap color	R	Red
	Y	Yellow
	G	Green

□ Specification

Model	TLB100 -□AC 51	TLB100 -□AA 11	TLB100 -□FC 51	TLB100 -□FA 11
Function	Rotating continuous light		Rotating continuous light, Buzzer	
Dimension	Ø100			
Power supply voltage	24 V DC/AC	100 V - 240 V AC	24 V DC/AC	100 V - 240 V AC
Power frequency	50 - 60 Hz			
Power consumption	Max 12 W	Max 15 W	Max 12 W	Max 15 W
Rotations speed	Approx 170 times/min			
Light source (socket)	Incandescent lamp (BA 15S)			
Lamp capacity	24 V 10 W			
Buzzer	-		Buzzer built in (Approx 90 db from distance 1m)	
Cap material	Polycarbonate (P.C)			
Body	ABS resin			
Cap color	Red, Yellow, Green			
Degree of protection	IP54			

□ Dimension and panel cutout (unit : mm)

Model	Appearance	Dimension and panel cutout
TLB-100P		
TLB-100F		

Dimension and panel cutout (unit : mm)

Model	Appearance	Dimension and panel cutout
Bracket : STM-105 (Optional)		
Magnet bracket: MTM-98 (Optional)		

Connection diagram

Rotating continuous light

TLB100-□AA 11	TLB100-□AC 5 1

Rotating continuous light, buzzer

Model	Contact drive	NPN transistor drive	PNP transistor drive
TLB100- □FC 5 1			
TLB100- □FA 1 1			Inapplicable

※ We recommend installing the fuse at inner part of the power input wire for the safety.

※ In case of using transistor, please consider the polarity of power input even with the 24 V DC/AC power supply voltage.

TLB150 Turn Light

TLB series

- Ø140 large size rotating flashing light
- Rotating Continuous light, rotating continuous light and buzzer
- Incandescent lamp indicator (socket type)
- 24 V DC/AC or 100 – 240 V AC



□ Suffix code

Model	Code	Description
TLB	□ □ □ □ □	Turn light
Dimension	150	Ø140 cap
Cap shape	F	Rectangular cap direct installation
Function	A	Rotating continuous light
	F	Rotating continuous light, Buzzer
Power supply voltage	C51	24 V DC/AC 50 – 60 Hz
	A11	100 – 240 V AC 50 – 60 Hz
Cap color	R	Red
	Y	Yellow
	G	Green

□ Specification

Model	TLB150 -FAC51	TLB150 -FAA11	TLB150 -FFC51	TLB150 -FFA11
Function	Rotating continuous light		Rotating continuous light, Buzzer	
Dimension	Ø140			
Power supply voltage	24 V DC/AC	100 V – 240 V AC	24 V DC/AC	100 V – 240 V AC
Power frequency	50 – 60 Hz			
Power consumption	Max 24 W	Max 33 W	Max 24 W	Max 33 W
Rotation speed	Approx 85 times/min			
Light source (socket)	Incandescent lamp (BA 15S)			
Lamp capacity	24 V 21 W			
Buzzer	-		Buzzer built in (Approx 90 db from distance 1m)	
Cap material	Polycarbonate (P.C)			
Body	ABS copolymer			
Cap color	Red, Yellow, Green			
Degree of protection	IP54			

□ Dimension and panel cutout (unit : mm)

Model	Appearance	Dimension and panel cutout
TLB150		

Connection diagram

Rotating continuous light

TLB150-FAA11	TLB150-FAC51
<p>Orange</p> <p>Black</p> <p>Power supply voltage 100 - 240 V a.c.</p> <p>ground(green/yellow)</p>	<p>Red</p> <p>Black</p> <p>Power supply voltage 24 V d.c/a.c.</p> <p>※ No polarity when power voltage is DC</p>

Rotating continuous light, buzzer

Model	Contact drive	NPN transistor drive	PNP transistor drive
TLB150- FFC 51	<p>Buzzer(sky blue)</p> <p>rotating continuous light(red)</p> <p>Power(black)</p> <p>Power supply voltage 24 V d.c/a.c.</p>	<p>Buzzer(sky blue)</p> <p>rotating continuous light(red)</p> <p>Power(black)</p> <p>Power supply voltage 24 V d.c.</p>	<p>Buzzer(sky blue)</p> <p>rotating continuous light(red)</p> <p>Power(black)</p> <p>Power supply voltage 24 V d.c.</p>
TLB150- FFA 11	<p>Buzzer(sky blue)</p> <p>Common(gray)</p> <p>Orange</p> <p>Black</p> <p>Power supply voltage 100 - 240 V a.c.</p>	<p>Buzzer(sky blue)</p> <p>Common(gray)</p> <p>Orange</p> <p>Black</p> <p>Power supply voltage 100 - 240 V a.c.</p>	Inapplicable

※ We recommend installing the fuse at inner part of the power input wire for the safety

※ In case of using transistor, please consider the polarity of power input even with the 24 V DC/AC power supply voltage.

Turn Light

TL100

- Long life expectancy due to the flush type HID LED light source
- Excellent diffusibility by applying to the rotating reflector (exclusive for LED)
- Simple wiring by applying the terminal method
- Built in the rotating Continuous light and 90dB single melody electrical buzzer.
- Power supply voltage 24 V DC/AC or 100 - 240 V AC 50 - 60 Hz



□ Suffix code

Model	Code	Description
TL100-	□ □ □ □	Turn light (Ø100)
Appearance	P	Round cap direct mounting type
	F	Rectangular cap direct mounting type
Operation function	A	Rotating continuous light
	F	Rotating continuous light and buzzer
Power supply voltage	C51	24 V DC/AC 50 - 60 Hz
	C41	12 V DC/AC 50 - 60 Hz (※ Order-made)
	A11	100 - 240 V AC 50 - 60 Hz
Cap color	R	Red
	Y	Yellow
	G	Green

□ Specification

Model	TL100-□ A C51□	TL100-□ FC51□	TL100-□ AA11□	TL100-□ FA11□
Function	Rotating continuous light	Rotating continuous light, buzzer	Rotating continuous light	Rotating continuous light, buzzer
Dimension	Ø100			
Power supply voltage	24 V DC/AC		100 - 220 V AC, 50 - 60 Hz	
Current consumption	Max 3.2 W	Max 3.2 W	Max 5.5 W	
Rotating speed	Approx 180 times/min (reflector)			
Light source	LED (1 Watt)			
Buzzer volume	Approx 90 dB (1 m distance)			
Cap material	Polycarbonate (P.C)			
Body	Heat resisting ABS resin			
Cap color	Red, Yellow, Green			
Degree of protection	IP53			

□ Dimension and panel cutout (unit : mm)

Model	Appearance	Dimension and panel cutout
TL100-P		
TL100-F		

Connection diagram

Rotating Continuous light

Model	Contact drive	NPN transistor drive	PNP transistor drive
TL100-□ AC51□			
TL100-□ AA11□			Inapplicable

Rotating continuous light, buzzer

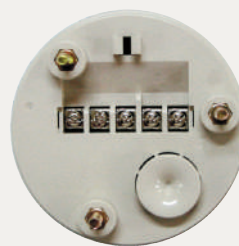
Model	Contact drive	NPN transistor drive	PNP transistor drive
TL100-□ AC51□			
TL100-□ AA11□			Inapplicable

Reflector and LED structure

- Due to applying the flush type HID LED light source, it emits the strong rotational light and because of the buzzer function, it has an excellent information transmitting function, strong vibration durability and long life expectancy.
- Simple wiring by applying the terminal method.



LED

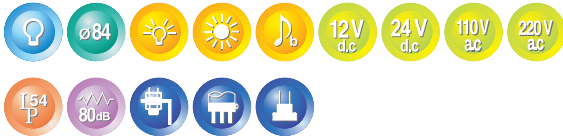


Terminal

Turn Light

T series

- Ø84 rotating continuous light, rotating continuous light and buzzer
- Incandescent lamp indicator (socket type)
- Various bracket mounting type (TR type & TX type)
- Economical price, simple installation structure
- Protective cap with solid poly-carbonate material
- Rotational structure with the excellent abrasion resistive acetal gear
- Degree of protection IP 54



□ Suffix code

Model	Code	Description
Dimension and function	<input type="checkbox"/> <input type="checkbox"/> <input type="checkbox"/>	Turn light (Ø 84)
	TR	Round type cap bracket attaching installation
	TX	Rectangular type cap bracket attaching installation
	TF	Rectangular type cap direct installation
	TP	Round type cap direct installation
	TFB	Rectangular type cap direct installation
Power supply voltage	12	12 V DC
	24	24 V DC
	012	110/220 V AC, 50/60 Hz
Cap color	R	Red
	Y	Yellow
	G	Green
	B	Blue

□ Connection diagram


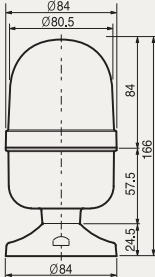
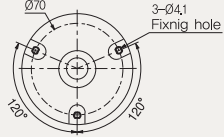

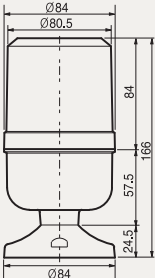
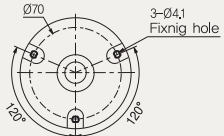

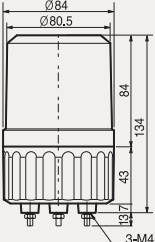
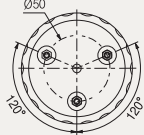

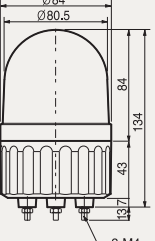
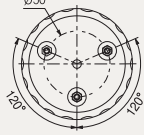

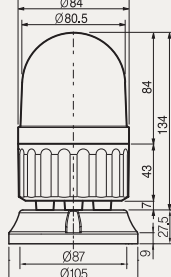
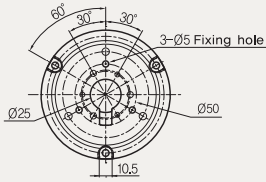
Connection diagram for each power supply voltage are as follows. Also, buzzer (buzzer built in type) is connected to the power line.

Power supply voltage	Wire folder
12 V DC	White (+), Black (-)
24 V DC	
110/220 V AC, 50/60 Hz	Black-White (when using at AC 110 V) Black-Red (when using at AC 220 V)

□ Specification

Model	TR-□□	TX-□□	TF-□□	TP-□□	TFB-□□	TPB-□□
Function	Rotating continuous light				Rotating continuous light, buzzer	
Dimension	Round type cap bracket attachment	Rectangular type cap bracket attachment	Rectangular type cap direct attachment	Round type cap direct attachment	Rectangular type cap direct attachment	Round type cap direct attachment
Power supply voltage	12 V DC, 24 V DC, 110/220 V AC, 50/60 Hz					
Current consumption	0.9 A (When power supply voltage is 12 V DC), 0.5 A (When power supply voltage is 24 V DC) 0.1 A (When power supply voltage is 110 V DC), 0.05 A (When power supply voltage is 240 V DC)					
Rotating speed	Approx 130 times/min					
Light source	Incandescent lamp (BA 15S)					
Lamp capacity	12 V 5 W (When power supply voltage is 12 V DC), 24 V 5W (When power supply voltage is 24 V DC) 12 V 5 W (When power supply voltage is 110/220 V DC)					
Buzzer volume	-				Approx 80 dB	
Cap material	Polycarbonate (P.C) resin					
Body	ABS resin					
Lens color	Red, Yellow, Green, Blue					
Degree of protection	IP54					

Dimension and panel cutout (unit : mm)

Model	Appearance	Dimension and panel cutout	
TR-□R			
TX-□R			
TF-□R			
TP-□R			
Bracket : STM-105 (Optional)			

- Ø 118 rotating continuous light, rotating continuous light and buzzer built in
- Incandescent lamp lighting (BA 15S)
- Used the special power transmitting plant, less noise and long life expectancy.
- Large sized rotational reflector is built in, excellent light reflection
- Excellent attaching / detaching due to the permanent magnet attachment type (refer to the suffix code)
- Degree of protection IP54



□ Suffix code

Model	Code	Description
RLA-	□ □ □	Turn light (Ø 118)
Function	KB	Rotating continuous light
	KBB	Rotating continuous light and buzzer built in
Power supply voltage and installation method	01	12 V DC
	02	24 V DC
	012	110/220 V AC
	012M	110/220 V AC
	01A	12 V DC
	02A	24 V DC
Cap color	R	Red
	Y	Yellow
	G	Green

□ Specification

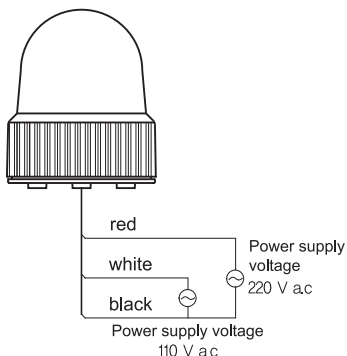
Model	RLA-KB□□	RLA-KBB□□
Function	Rotating continuous light	Rotating continuous light, buzzer
Dimension	Ø 118 Cap	
Power supply voltage	12 V DC, 24 V DC, 110/220 V AC 50/60 Hz	
Power consumption	4.0 W (when power supply voltage is 24 V DC), 4.5 W (when power voltage is 220 V AC)	
Rotating speed	Approx 80 times/min	
Light source	Incandescent lamp (base rating : BA 15S)	
Buzzer volume	-	Approx 90 dB
Material	Cap: acryl resin, Body : ABS resin	
Cap color	Red, Yellow, Green	
Degree of protection	IP54	

□ Connection diagram

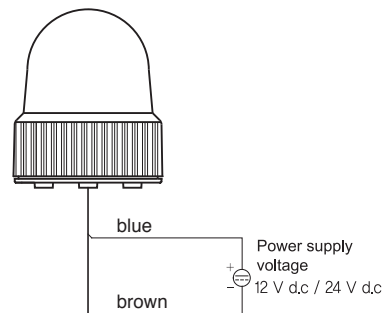
Buzzer (buzzer built in type) is connected to the power wire

Model	Power supply voltage	Wire color
RLA-□01(A)□	12 V DC	Cigar jack or blue (+), brown (-)
RLA-□02(A)□	24 V DC	
RLA-□012(M)□	110 V AC 50/60 Hz	black - white (3P)
	220 V AC 50/60 Hz	black - red (3P)


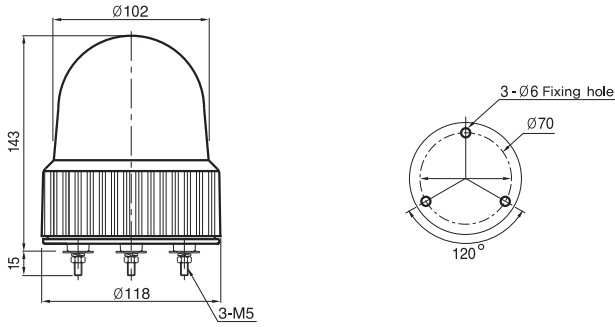

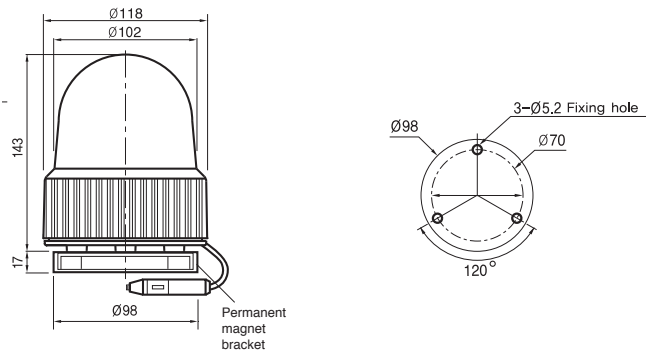
■ AC



■ DC




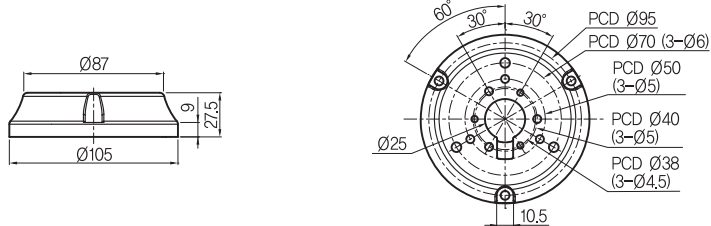

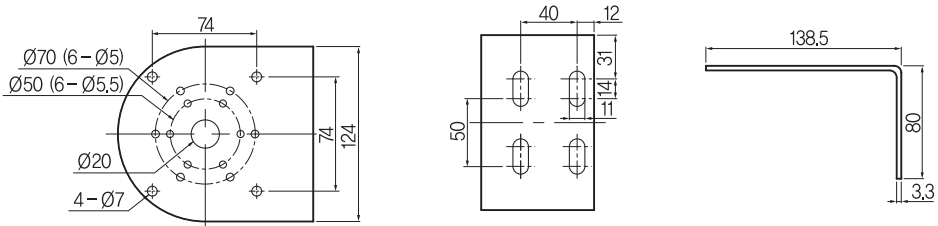
Dimension and panel cutout (unit : mm)

Model	Appearance	Dimension and panel cutout
RLA-KB□□ RLA-KBB□□ (Normal type)		
RLA-KB01A□ RLA-KBB02A□ (Automobile)		

Power specification

Model	Power supply voltage	Current	Rotational	Lamp
RLA-KB01(A)□	RLA-KBB01(A)□	12 V DC	80 times/min	12 V
RLA-KB02(A)□	RLA-KBB02(A)□	24 V DC		24 V
RLA-KB012(M)□	RLA-KBB012(M)□	110 V AC		110 V
		220 V AC		220 V

Bracket dimension (unit : mm)

Appearance	Dimension and panel cutout
 <p>STM-105 (Optional)</p>	
 <p>ST-013 (Optional)</p>	

Sign Tower
Wall Mounted Light
Turn Light
■ Signal Light

SIGNAL LIGHT SIGNAL LIGHT
SIGNAL LIGHT

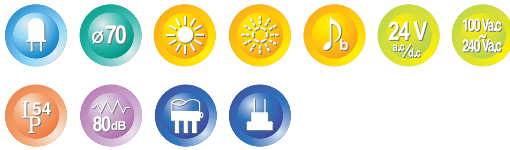
-SLB series, RLA, WX/WXB, LT series



Signal Light

SLB 060

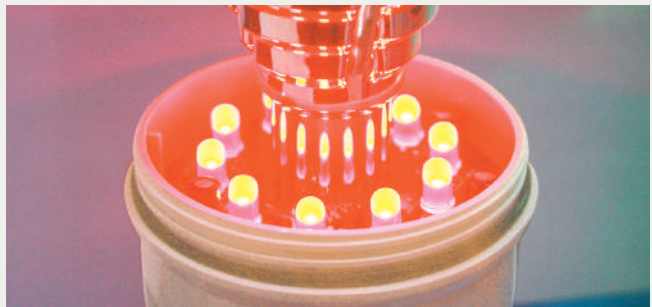
- Continuous light and buzzer selection by the external signal
- Long life expectancy by the HID LED light source
- Select 60 round type cap, rectangular type cap, direct installation, bracket mounting installation
- Economical price, simple installation structure
- Solid poly-carbonate material protective cap
- Degree of protection IP54



□ Suffix code

Model	Code	Description
SLB	□ □ □ □	Signal light
Dimension	060	Ø70 cap
Design and function	RA	Round type cap bracket mounting installation
	XA	Rectangular type cap bracket mounting installation
	PA	Round type cap direct installation
	FA	Rectangular type cap direct installation
	PF	Round type cap direct installation
	FF	Rectangular type cap direct installation
Power supply voltage	C51	24 V DC/AC 50 – 60 Hz
	C41	12 V DC/AC 50 – 60 Hz (* Order-made)
	A11	110 – 240 V AC, 50 – 60 Hz
Cap color	R	Red
	Y	Yellow
	G	Green

□ Reflector and LED structure




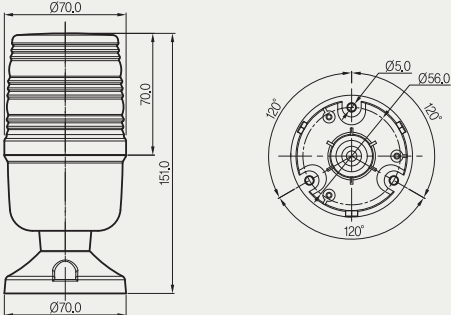
□ Specification

Model	SLB060-RA□□, SLB060-XA□□ SLB060-PA□□, SLB060-FA□□	SLB060-PF□□ SLB060-FF□□
Dimension	Round type cap (Ø60)	Rectangular type cap (Ø60)
Power supply voltage	24 V DC/AC, 100 – 240 V AC 50 – 60 Hz	
Power consumption	Max 2 W (24 V DC/AC), Max 3.5 W (100 – 240 V AC)	
Flickering speed	Approx 60 times/min	
Light source	LED	
Buzzer	2 types of buzzer melodies (Short pipe, Long beeps), volume 80 dB (1 m distance)	
Material	Protective cap : acryl resin, Body : ABS resin	
Cap color	Red, Yellow, Green	
Degree of protection	IP54	


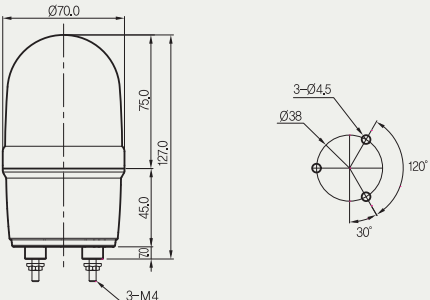

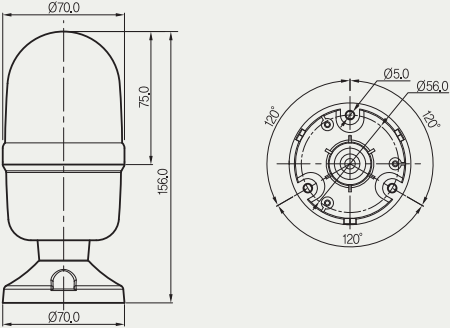
□ Dimension and panel cutout (unit : mm)

■ Rectangular cap

Model	Appearance	Dimension and panel cutout
SLB-060FA SLB-060FF (Rectangular cap direct installation)		

Model	Appearance	Dimension and panel cutout
SLB-060XA (Rectangular cap bracket mounting)		

■ Round cap

Model	Appearance	Dimension and panel cutout
SLB-060PA SLB-060PF (Round cap direct installation)		
SLB-060RA (Round cap bracket mounting)		

Connection diagram

Continuous light only

Model	Contact drive	NPN transistor drive	PNP transistor drive
SLB-060 □ AC51			

Continuous light and flashing light, buzzer

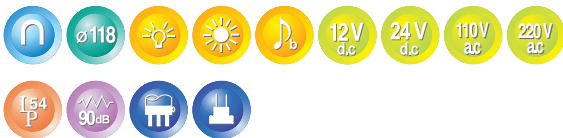
Model	Contact drive	NPN transistor drive	PNP transistor drive
SLB-060 □ FC51			

※ Buzzer melody classification : Buzzer 1 – Short pips
Buzzer 2 – Long beeps

Signal Light

RLA-WX/WXB

- Ø118 rotating continuous light, rotating continuous light and buzzer built-in
- Xenon tube strobe light
- Excellent instant light emitting and high brightness
- Less current consumption compares to the flashing light and 4 times longer life expectancy compares to the regular lamp
- Simple attaching/detaching due to the permanent magnet attachment type (for cars)
- Degree of protection IP54



□ Suffix code

Model	Code	Description
RLA-	□ □ □	Signal light (XENON Lamp)
Function	WX	Strobe light
	WXB	Strobe light and buzzer built in type
Power supply voltage and installation method	01	12 V DC
	02	24 V DC
	10	110 V AC
	20	220 V AC
	10M	110 V AC
	20M	220 V AC
	01A	12 V DC
	02A	24 V DC
Cap color	R	Red
	B	Blue

□ Specification


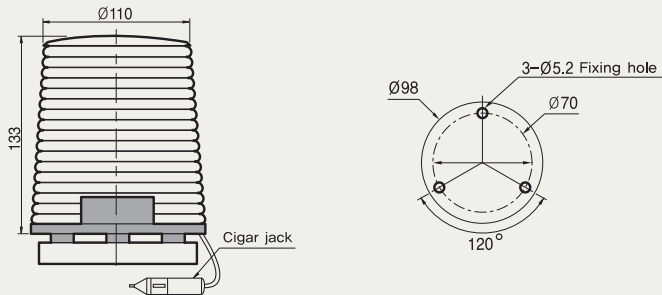

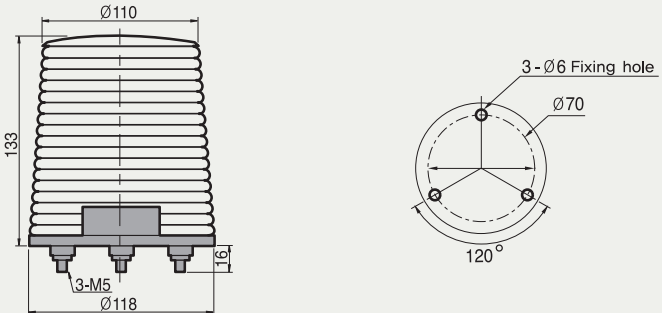
Model	RLA-WX□□	RLA-WXB□□
Function	Strobe only	Strobe, Buzzer
Dimension	Ø118 rectangular cap (Direct installation, Magnet attachment type bracket, Magnet attachment type bracket and cigar jack)	
Power supply voltage	12 V DC, 24 V DC, 110 V AC, 220 V AC 50/60 Hz Selected by the suffix code	
Power consumption	7.2 W (when power supply voltage is 24 V DC), 12 W (when power supply voltage is 220 V AC)	
Rotating speed	Approx 60 times/min	
Light source	Xenon tube Strobe light	
Buzzer volume	-	Buzzer built in (approx 90 dB from distance 1m)
Material	Cap: acryl resin, Body : ABS resin	
Cap color	Red, Blue, White	
Degree of protection	IP54	

□ Connection diagram


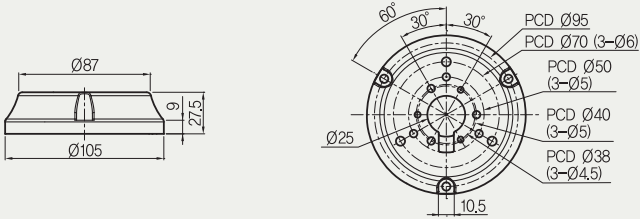
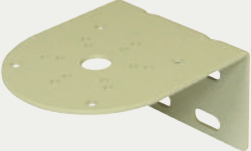
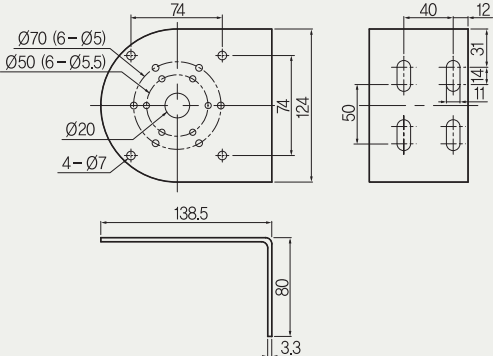
Buzzer (buzzer built in type) is connected to the power line

Model	Power supply voltage	Wire Color
RLA-□01□	12 V DC	white (+), black (-)
RLA-□01A□		Cigar jack
RLA-□02□	24 V DC	white (+), black (-)
RLA-□02A□		Cigar jack
RLA-□10□	110 V AC 50/60 Hz	black - white (Only for 2P)
RLA-□10M□		
RLA-□20□	220 V AC 50/60 Hz	black - white (Only for 2P)
RLA-□20M□		

Dimension and panel cutout (unit : mm)

Model	Appearance	Dimension and panel cutout
RLA-WX□□ (Magnet bracket)		
RLA-WXB□□ (Direct installation)		

Bracket dimension (unit : mm)

Appearance	Dimension and panel cutout
 <p>STM-105 (Optional)</p>	
 <p>ST-013 (Optional)</p>	

Signal Light

LT series

- Rotational flickering function by the sequential flashing
- Long life expectancy due to the HID LED light source
- Select Ø84 round cap, direct mounting or bracket mounting
- Excellent visible rays transmissivity due to using an acryl cap
- Solid and smart design
- Degree of protection IP54



□ Suffix code


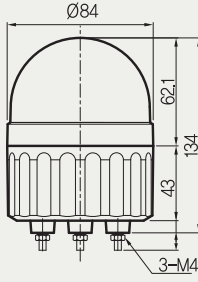
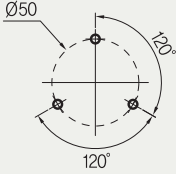

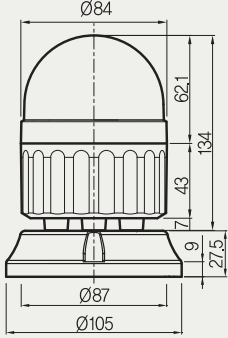
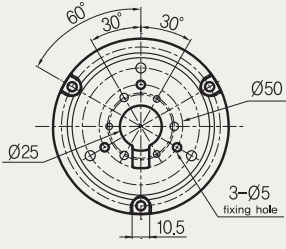
Model	Code	Description
LT-	□ □ □	Signal light (Ø84 Cap)
Installation type (Function)	R	Bracket mounting (rotating, flashing)
	P	Direct mounting (rotating, flashing) ※ Optional bracket (STM-105)
	B	Direct mounting (rotating, flashing, buzzer built in)
Power supply voltage	12	12 - 48 V DC, 12 - 24 V AC 50 - 60 Hz
	012	110/220 V AC 50 - 60 Hz
Cap color	R	Red
	Y	Yellow
	G	Green

□ Specification

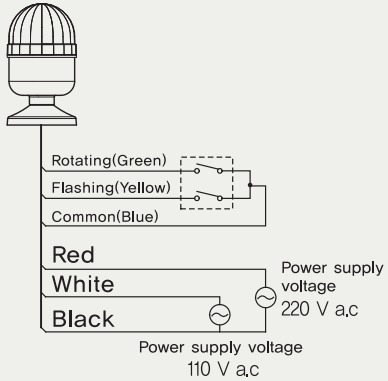
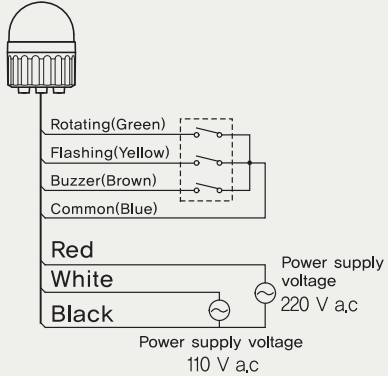
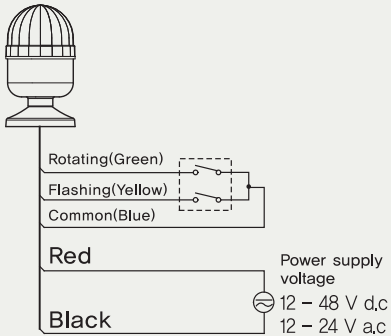
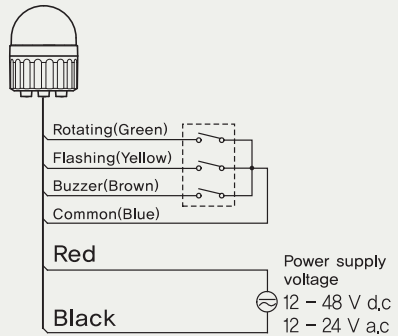
Model	LT-R□□	LT-P□□	LT-PB□□
Function	Rotating, Flashing		Rotating, Flashing, Buzzer
Cap shape	Round type cap (Ø84)		
Installation type	bracket mounting installation	direct installation	
Power supply voltage	12 - 48 V DC, 12 - 24 V AC, 110/220 V AC 50/60 Hz		
Power consumption	Max 2.9 W (Power supply voltage : 12 - 48 V DC) Max 5 W (Power supply voltage : 110 / 220 V AC)		
Sequential number of rotation	Approx 90 times / Min (flashing speed approx. 50 times / min)		
Flashing speed	LED ※ LED quantity : 24		
Light source buzzer	-		Buzzer melody 2 kinds (single, beeping) sound pressure decibel : 80 dB (1m distance)
Material	Protective cap : acryl resin, Body : ABS resin		
Cap color	Red, Yellow, Green		
Degree of protection	IP54		

□ Dimension and panel cutout (unit : mm)

Model	Appearance	Dimension and panel cutout
LT-R□□		

Model	Appearance	Dimension and panel cutout
LT-P□□ LT-PB□□		 
STM-105 Bracket (Optional)		 

□ Connection diagram

Model	LTR-12 / LTR-012	LTPB-12 / LTPB-012
Power supply voltage 110 / 120 V AC		
Power supply voltage 12 - 48 V DC 12 - 24 V AC		

Information in this catalog may be changed without prior notification for upgrade purpose.



Sign Tower / Turn Light / Signal Light / Wall Mounted Light



Security or Safety International S.A. de C.V.

Torres IOS Campestre, Av. Ricardo Margain No. 575, C.P. 66267,
Parque Corporativo Santa Engracia, San Pedro Garza Garcia, N.L, México.

Tel: (01 81) 83597570 / 83588687

E-mail: ventas1@ssint.com.mx / soporte@ssint.com.mx